

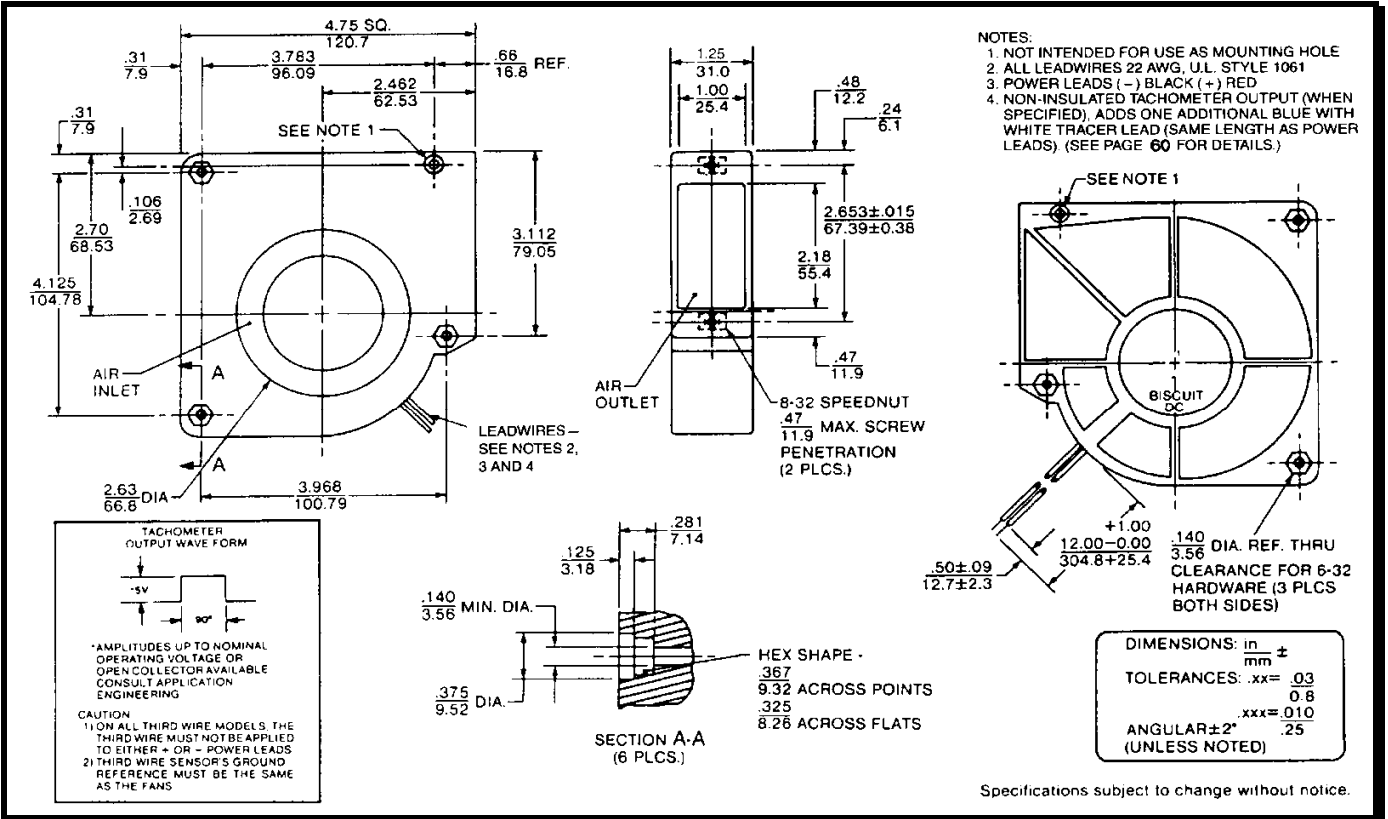
SPECIFICATIONS



Model Number: BD24K3
Part Number: 039220

April 16, 2012

Mechanical Drawing:



Motor:

Nominal Voltage	= 24 Vdc
Operating Voltage Range	= 18-28 Vdc
Nominal Running Current	= 0.660 amps
Locked Rotor Current	= 0.750 amps
Running Power	= 16 watts
Average Speed	= 3550 rpm
Bearings	= Ball
Air Flow	= 30 cfm
Noise	= 53.5

Construction:

Venturi: Plastic, Black, UL94V-0
 Propeller: Plastic, Black, UL94V-0

Agency Approvals:
 UL, CE

Life Expectancy:
 This fan is designed for continuous duty life of 70,000 hours at 40°C

Additional Features:

- Brushless DC Motor
- Polarity Protected
- Locked Rotor Protection
- Automatic Restart Capability
- Operating Temperature: -10°C to +70°C

Termination:

12" Lead wires, 22 AWG, UL1061

- Red: Power (+)
- Black: Return (-)