

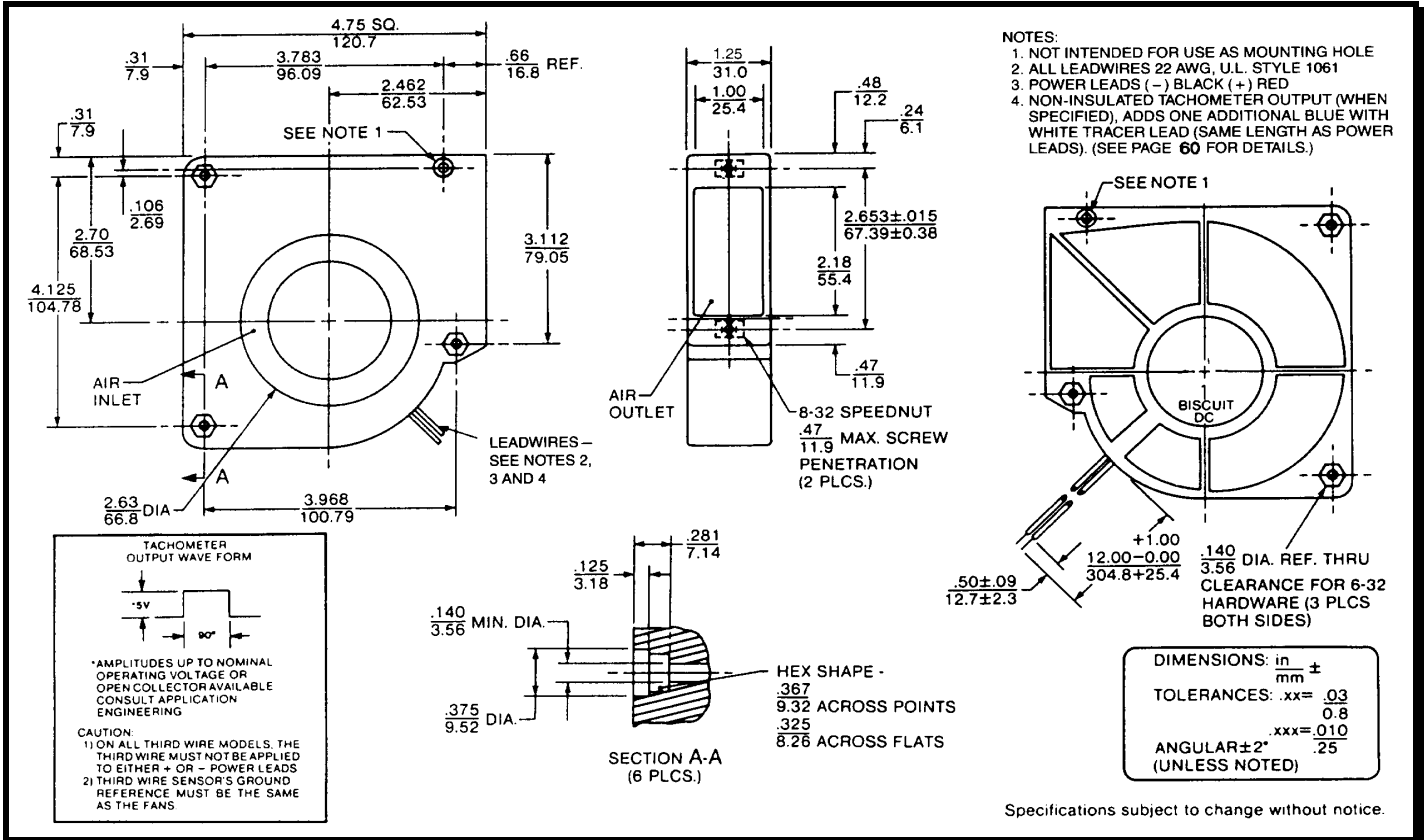
SPECIFICATIONS



Model Number: BD48K3
Part Number: 19039239A

Rev: 01
April 10, 2017

Mechanical Drawing:



Motor:

Nominal Voltage	= 48 vdc
Operating Voltage Range	= 24 - 56 vdc
Nominal Running Current	= 0.28 amps
Locked Rotor Current	= 0.6 amps
Running Power	= 13.4 watts
Average Speed	= 3750 rpm
Bearings	= Ball
Air Flow	= 30 cfm
Noise	= 53.5

Construction:

Venturi: Plastic, Black, UL94V-0
 Propeller: Plastic, Black, UL94V-0

Agency Approvals:

UL, CUL, CE

Life Expectancy:

This fan is designed for continuous duty life of 52,000 hours at 70°C

Additional Features:

Brushless DC Motor
 Polarity Protected
 Locked Rotor Protection
 Automatic Restart Capability
 Operating Temperature: -10°C to +70°C
 Storage Temperature: -40°C to +85°C

Termination:

12" Lead wires, 22 AWG, UL1061

Red: Power (+)

Black: Return (-)

PQ Curve:

