

SPECIFICATIONS

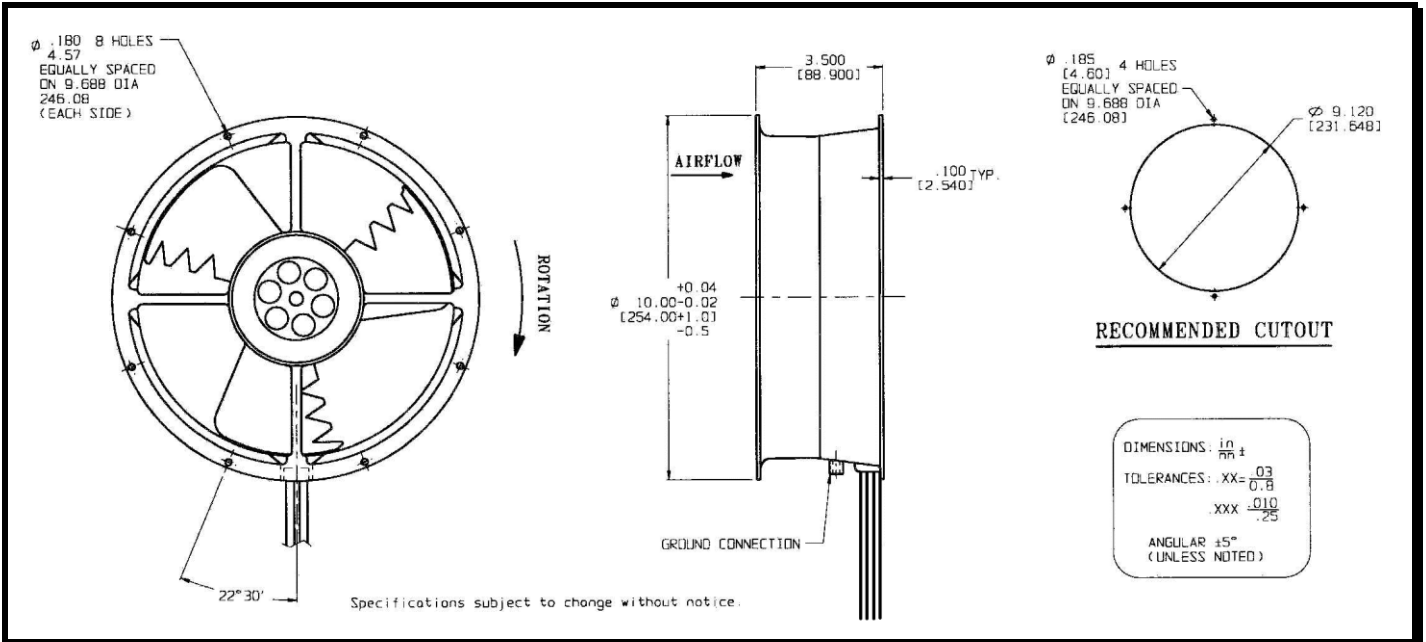
RoHS Compliant



Model Number: CDD48U3
Part Number: 1700306A

Version: 00
Sep 22, 2017

Mechanical Drawing:



Motor:

Nominal Voltage	= 48 vdc
Operating Voltage Range	= 24- 56 vdc
Nominal Running Current	= 1.4 amps
Running Power	= 64.3 watts
Average Speed	= 2400 rpm
Bearings	= Ball
Max. Air Flow	= 797 cfm
Max. Static Pressure	= $0.87''$ H ₂ O
Acoustic	= 57.3 dBA

Construction:

Venturi: Die-Cast Aluminum, Black
 Propeller: Polycarbonate, Black, UL 94V-0

Life Expectancy:

This fan is designed for continuous duty life of 60,000 hours at 40°C.

Agency Approvals:

UL, CE

Additional Features:

Brushless DC Motor
 Polarity Protected
 Locked Rotor Protection
 Automatic Restart Capability
 Operating Temperature: -10°C to 70°C
 Storage Temperature: -40°C to 85°C

Termination:

12'' Lead wires, 22 AWG, UL 1061

Red = Power (+)
 Black = Return (-)

PQ Curve:

