



Comair Rotron Specification Sheet

Specification Date: Nov 27, 2017

Version: 00

RoHS Compliant

COMAIR ROTRON PART NUMBER: 17000279A
COMAIR ROTRON MODEL NUMBER: DD692112Z1A

A.) MOTOR:

RATED VOLTAGE:	12 Vdc
OPERATING VOLTAGE RANGE:	8 Vdc – 16 Vdc
LOW-START VOLTAGE:	8 Vdc
RUNNING CURRENT:	3.50 Amps
LOCKED ROTOR CURRENT:	5.50 Amps
RATED POWER:	42.0 Watts
NOMINAL SPEED:	3,500 RPM \pm 200 (At Free Delivery)
START UP TIME:	10 Seconds Maximum
MOTOR TYPE:	Brushless DC
MOTOR PROTECTION:	By Integrated Circuit, Fuse
LOCKED ROTORT PROTECTION:	Electronic
POLARITY PROTECTION:	Yes
AUTOMATIC RESTART CAPABILITY:	By Integrated Circuit
ROTATION:	Clockwise when viewed from Inlet

B.) MECHANICAL

DIMENSIONS:	175mm Dia. x 53mm (6.90" Dia. x 2.10") <i>Figure 1</i>
WEIGHT:	0.86 Kg (1.9 Lbs.)
BEARING TYPE:	Ball Bearing, Permanently Lubricated, Shielded



Comair Rotron Specification Sheet

Specification Date: Nov 27, 2017

Version: 00

RoHS Compliant

MOTOR BASE:

Die Cast Aluminum

PROPELLER:

Metal, Plated

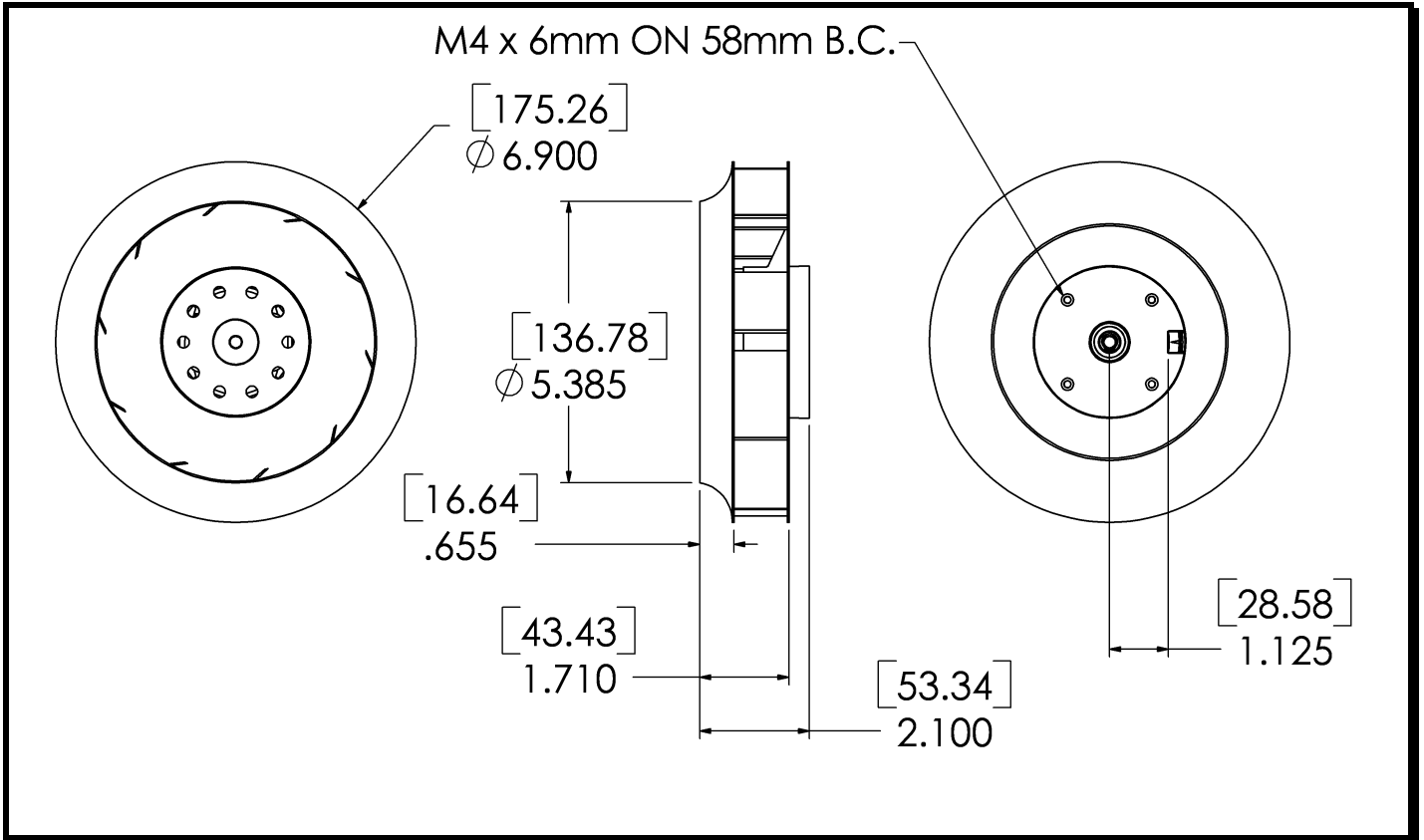


Figure 1

C.) ADDITIONAL FEATURES

TACHOMETER OUTPUT:

5Vdc TTL Compatible Output
 $I_C = 5\text{mA}$ typical.
 2 Pulses per Revolution

D.) ENVIRONMENTAL

OPERATING TEMPERATURE:

-10°C to +70°C

STORAGE TEMPERATURE:

-40°C to +85° C, 65% ± 20% RH

HUMIDITY:

5% to 95% RH, non-condensing



Comair Rotron Specification Sheet

Specification Date: Nov 27, 2017

Version: 00

RoHS Compliant

VIBRATION: 3G's (20 to 200 Hz)
SHOCK: 100G peak, 10 msec, half sine wave

E.) PERFORMANCE CHARACTERISTICS

AIR FLOW: 269 CFM \pm 10%
(Measuring at zero static pressure)

STATIC PRESSURE: 1.85" Inches of H₂O
(Measuring at zero air flow)

ACOUSTIC LEVEL: 68.8 dBA
(Freely Suspended at 1 meter per ANSI S12.11-1987 at 12Vdc)

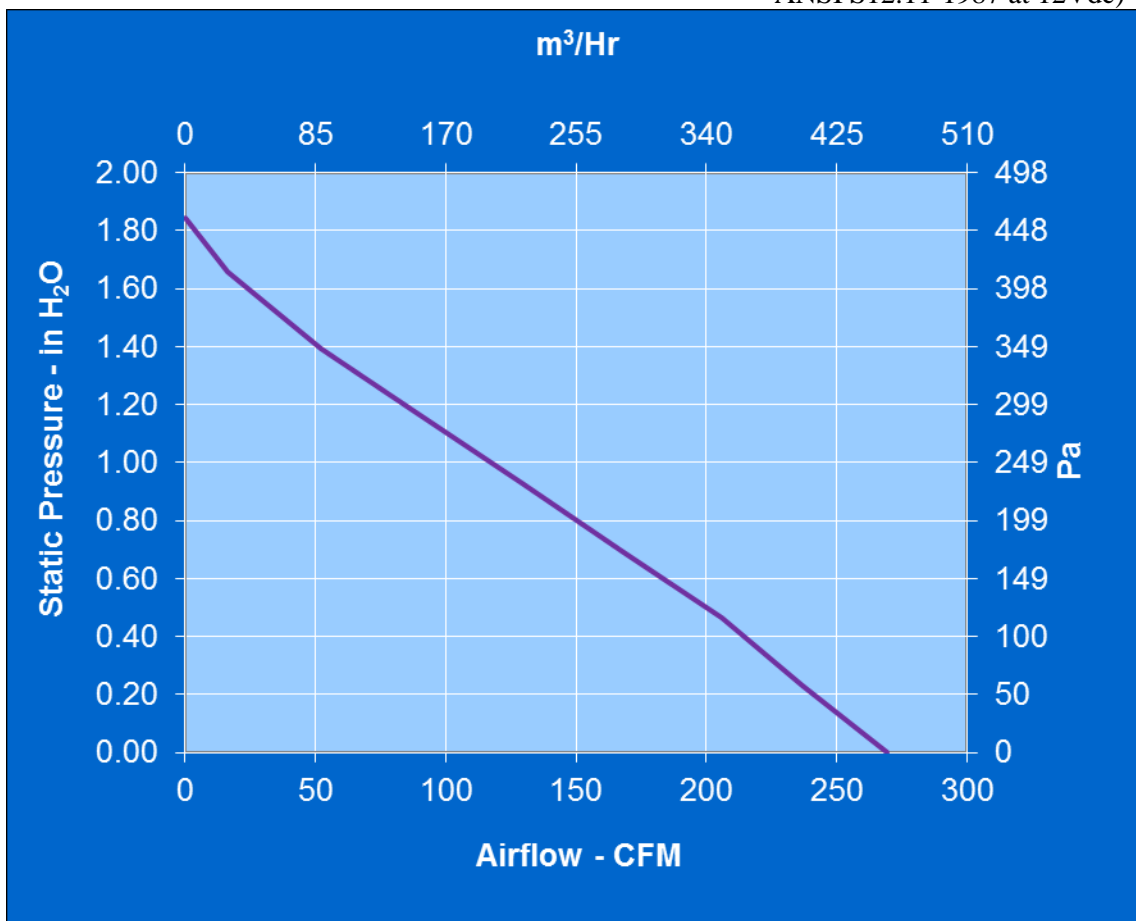


Figure 2



Comair Rotron Specification Sheet

Specification Date: Nov 27, 2017

Version: 00

RoHS Compliant

F.) TERMINATION

LEADWIRES:	304.8 ± 25.4mm (12.0" ± 1.0") 20 AWG, UL 1061 Style (From the edge of the motor base to the tip of the lead wires.)
COLOR DESIGNATION:	Red – Power (+) Black – Return (-) Blue/White – Tachometer Output

G.) RELIABILITY

This fan is designed for continuous duty life of 55,000 Hours at 40°C, (L10)

H.) SAFETY

UL, CUL, CE

I.) Flammability

The motorized impeller including all components meet the UL94V-0 rating or better.