



Comair Rotron Specification Sheet

Specification Date: Nov28, 2017

Version: 01

COMAIR ROTRON PART NUMBER: 19039867A
COMAIR ROTRON MODEL NUMBER: DD892848K1A

A.) MOTOR:

RATED VOLTAGE:	48 Vdc
OPERATING VOLTAGE RANGE:	36 Vdc – 60 Vdc
LOW-START VOLTAGE:	36 Vdc
MAX. RUNNING CURRENT:	2.1Amps
LOCKED ROTOR CURRENT:	3.5 Amps
RATED POWER:	100.8 Watts
NOMINAL SPEED:	2800 RPM \pm 200 (At Free Delivery)
START UP TIME:	8 Seconds Maximum
MOTOR TYPE:	Brushless DC
MOTOR PROTECTION:	By Integrated Circuit, Fuse
LOCKED ROTORT PROTECTION:	Electronic
POLARITY PROTECTION:	Yes
AUTOMATIC RESTART CAPABILITY:	By Integrated Circuit
ROTATION:	Clockwise when viewed from Inlet

B.) MECHANICAL

DIMENSIONS:	227mm Dia. x 71mm (8.94" Dia. x 2.80") <i>Figure 1</i>
WEIGHT:	1.60 Kg (3.53 Lbs.)
BEARING TYPE:	Ball Bearing, Permanently Lubricated, Shielded
MOTOR BASE:	Die Cast Aluminum
PROPELLER:	Aluminum, Painted



Comair Rotron Specification Sheet

Specification Date: Nov28, 2017

Version: 01

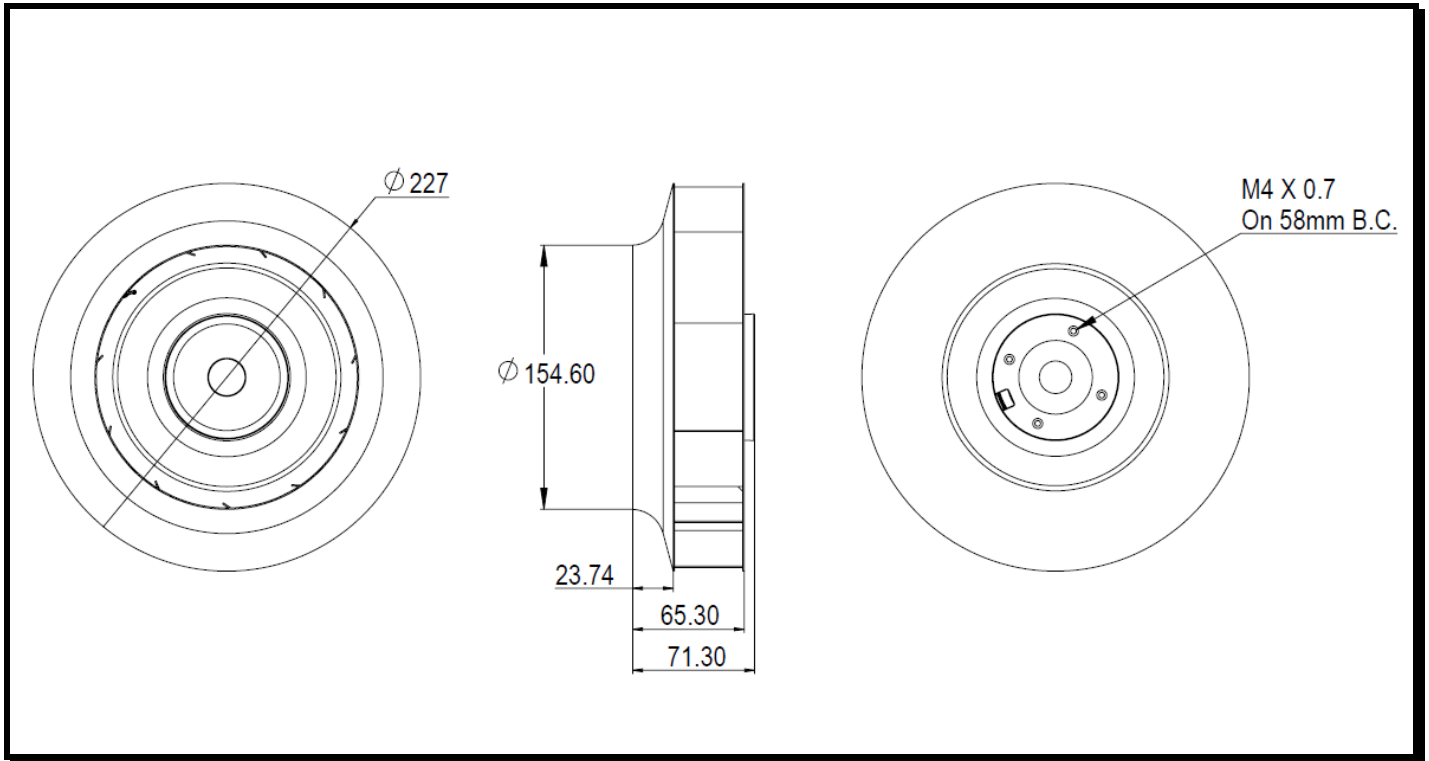


Figure 1

C.) ADDITIONAL FEATURES

TACHOMETER OUTPUT:

5Vdc TTL Compatible Output
 $I_c = 5\text{mA}$ typical.
 2 Pulses per Revolution

D.) ENVIRONMENTAL

OPERATING TEMPERATURE:

-10°C to +70°C

STORAGE TEMPERATURE:

-40°C to +85° C, 65% ± 20% RH

HUMIDITY:

5% to 95% RH, non-condensing

VIBRATION:

3G's (20 to 200 Hz)



Comair Rotron Specification Sheet

Specification Date: Nov28, 2017

Version: 01

E.) PERFORMANCE CHARACTERISTICS

AIR FLOW: 565 CFM \pm 10%
(Measuring at zero static pressure)

STATIC PRESSURE: 2.22 Inches of H₂O
(Measuring at zero air flow)

ACOUSTIC LEVEL: 75 dBA
(Freely Suspended at 1 meter per
ANSI S12.11-1987)

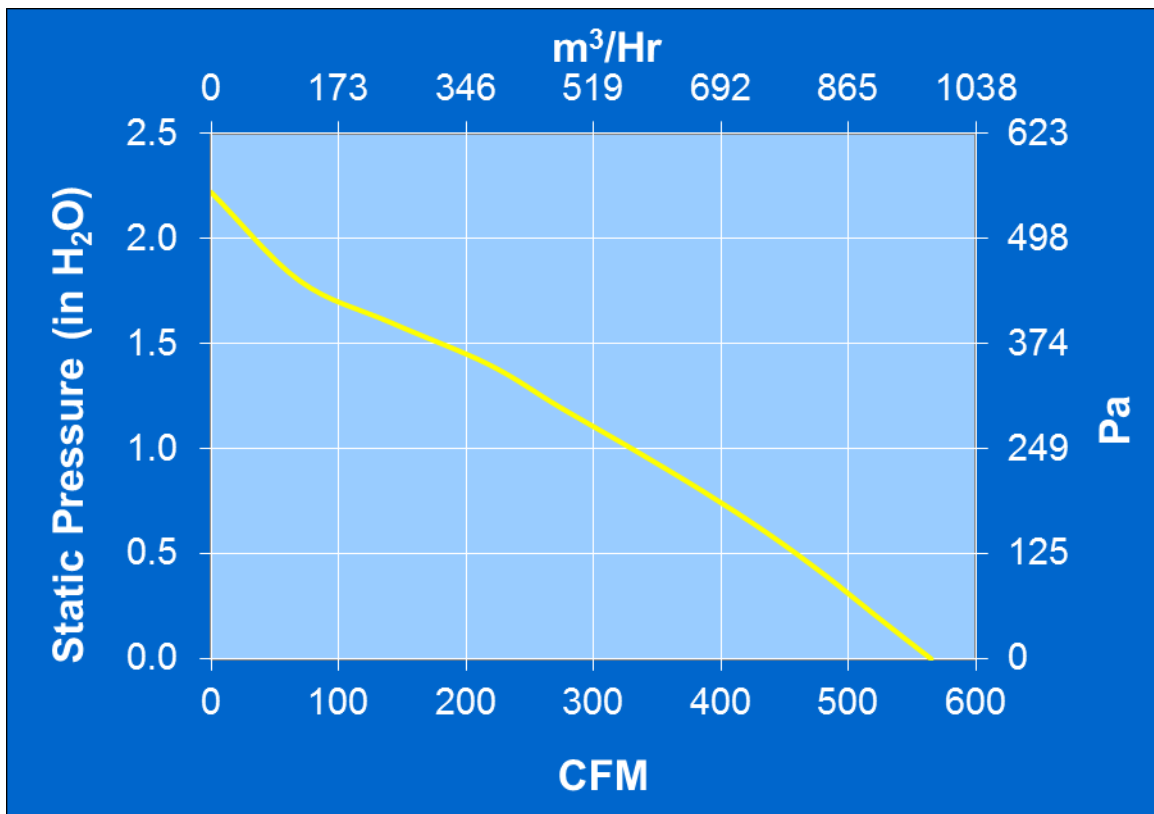


Figure 2

F.) TERMINATION

LEADWIRES: 12" \pm 1" Lead wires
20 AWG, UL 1061 Style
(From the edge of the motor base to the tip
of the lead wires.)



Comair Rotron Specification Sheet

Specification Date: Nov28, 2017

Version: 01

COLOR DESIGNATION:

Red = Power (+)
Black = Return (-)
Blue/White = Tachometer Output

G) RELIABILITY

This fan is designed for continuous duty life of 48,000 Hours at 40°C, (L10)

H.) SAFETY

UL, CUL, CE

I.) Flammability

The blower including all components meets an UL94V-0 rating or better.

Notes:

All parameters will perhaps fluctuate with the speed tolerance by $\pm 10\%$.