

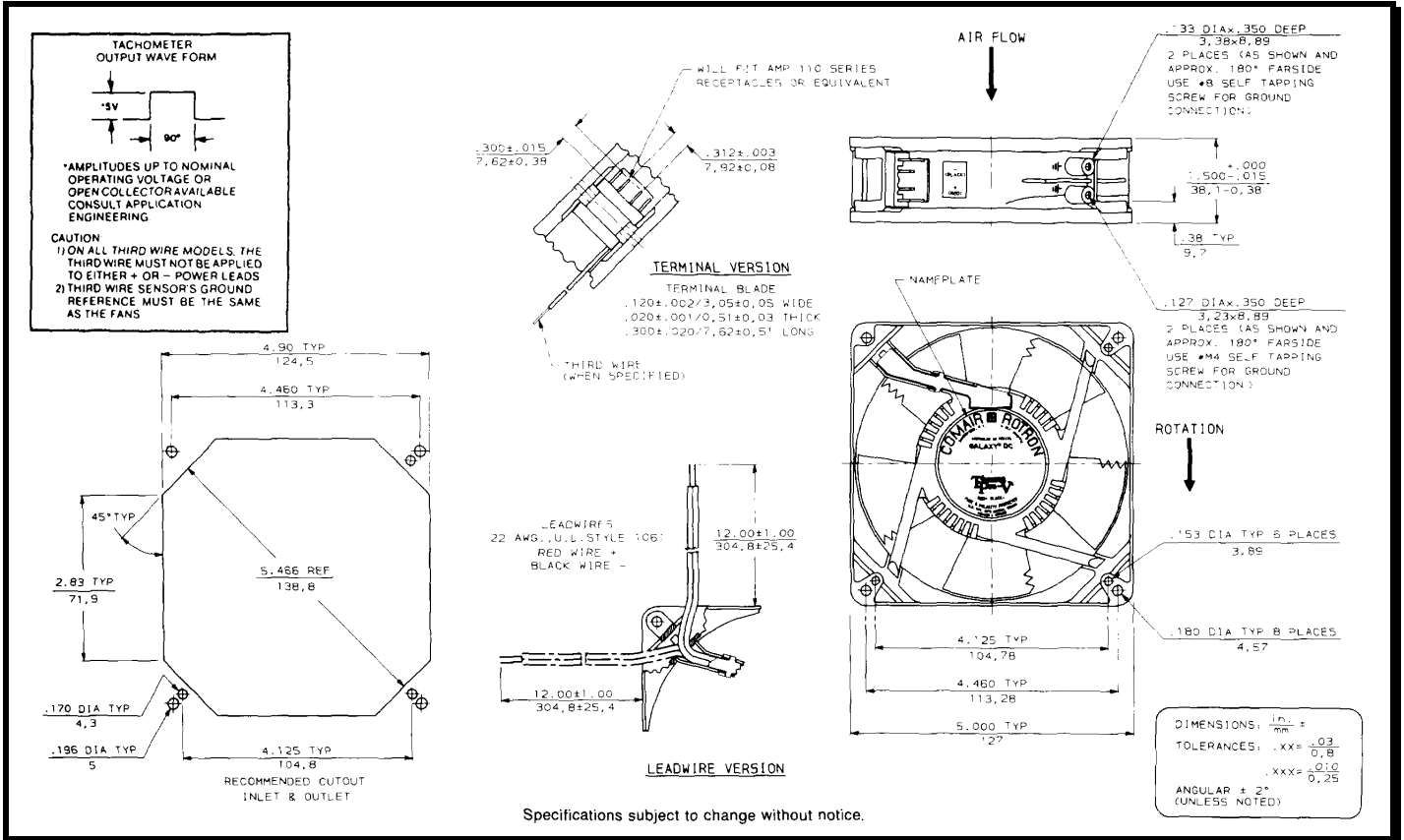
SPECIFICATIONS



Model Number: GL48K3
Part Number: 19039285A

Rev: 01
Sep 22, 2017

Mechanical Drawing:



Motor:

Nominal Voltage = 48 vdc
 Operating Voltage Range = 24 - 56 vdc
 Nominal Running Current = 0.47 amps
 Locked Rotor Current = 1.00 amps
 Running Power = 22.6 watts
 Average Speed = 3900 rpm
 Bearings = Ball
 Air Flow = 175 CFM
 Acoustic = 57.9 dBA

Construction:

Venturi: Die Cast Aluminum, Black
 Propeller: Plastic, Black, UL 94V-0

Life Expectancy:

This fan is designed for continuous duty life of 60,000 hours at 70°C.

Additional Features:

Brushless DC Motor
 Locked Rotor Protection
 Polarity Protected
 Automatic Reset Capability
 Operating Temperature: -10°C to 70°C
 Storage Temperature: -40°C to 85°C

Termination:

12" Lead wires, AWG 22, UL 1061
 Red - Power (+)
 Black - Ground (-)

Agency Certification:

UL, CUL, CE

PQ Curve:

