

# SPECIFICATIONS

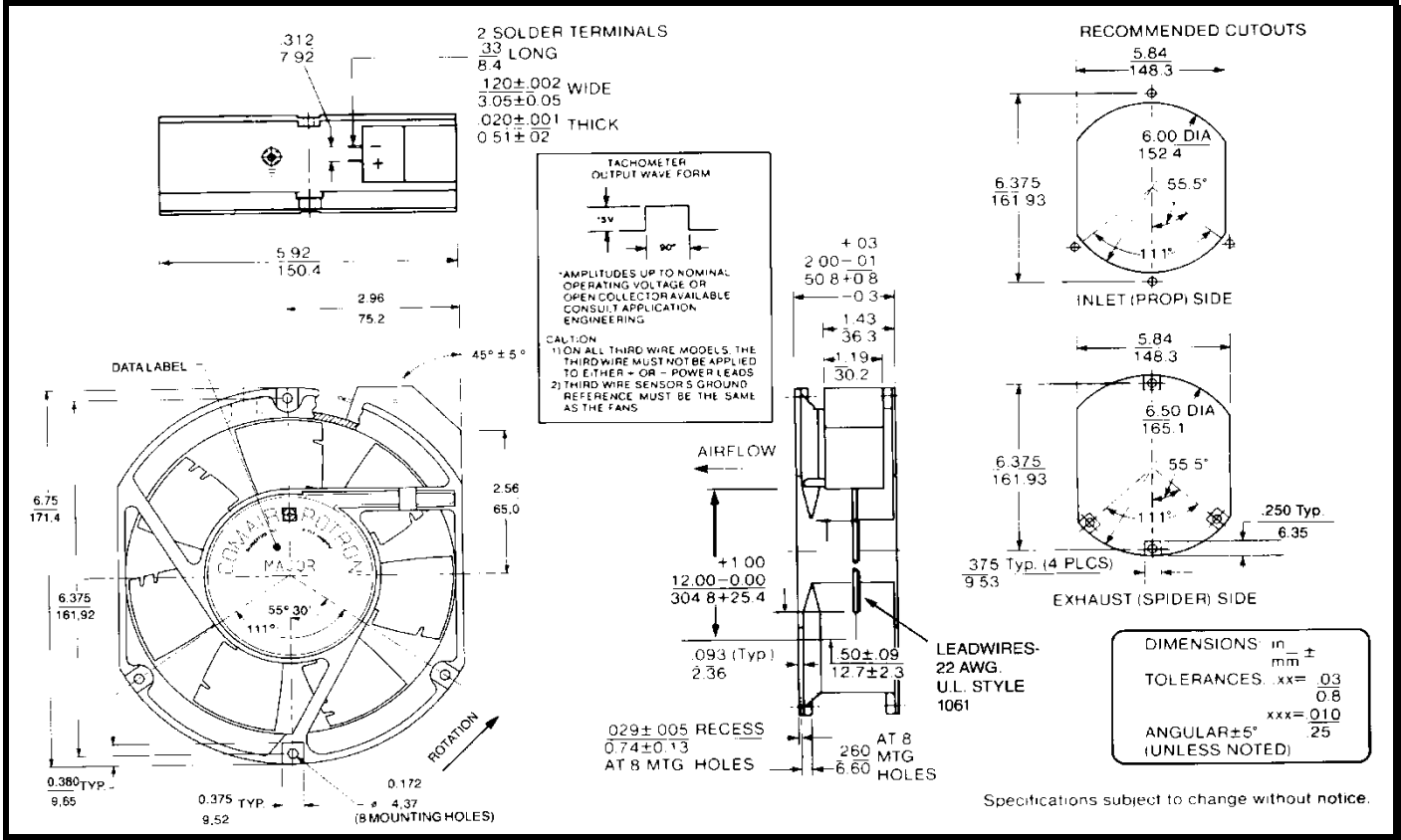
(Rohs Compliant)



**Model Number:** JQ48K4  
**Part Number:** 17000012A

**Rev:** 00  
**Sep 17, 2017**

## Mechanical Drawing:



### Motor:

Nominal Voltage = 48 vdc  
 Operating Voltage Range = 24 - 56 vdc  
 Nominal Running Current = 0.90 amps  
 Locked Rotor Current = 1.50 amps  
 Running Power = 43.2 watts  
 Average Speed = 4200 RPM  
 Bearings = Ball  
 Air Flow = 285 CFM  
 Acoustic = 58.9 dBA

### Construction:

Venturi: Die-cast Aluminum, Black  
 Propeller: Plastic, Black, UL 94V-0

### Agency Certifications:

UL, CUL, CE

### Life Expectancy:

This fan is designed for continuous duty life of 70,000 hours at 40°C.

### Additional Features:

Brushless DC Motor  
 Locked Rotor Protection  
 Polarity Protected  
 Automatic Restart Capability  
 Operating Temperature: -10°C to 70°C  
 Storage Temperature: -40°C to 85°C

### Termination:

Two 0.120" Terminals

**PQ Curve:**

