

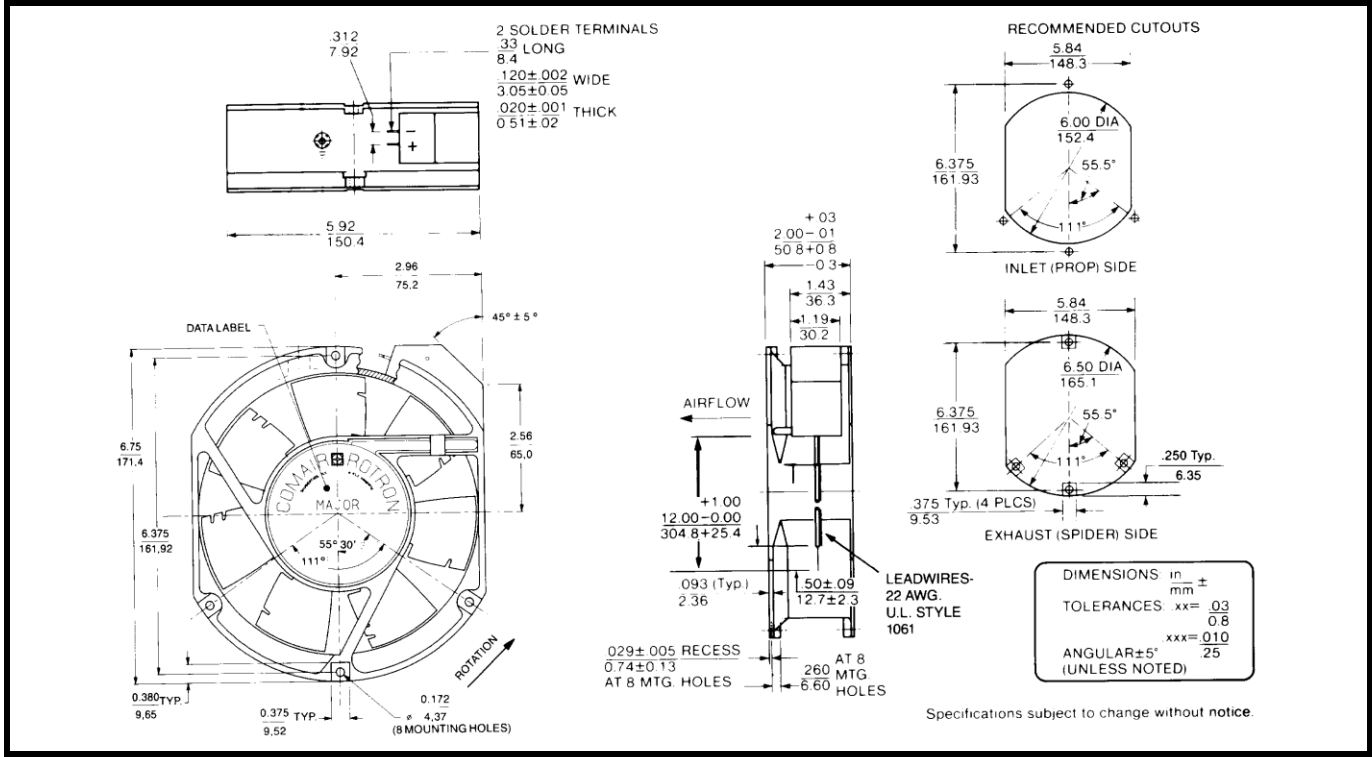
# SPECIFICATIONS



**Model Number:** JQD24U3E2  
**Part Number:** 19041049A

**Version:** 01  
**Sep 05, 2017**

## Mechanical Drawing:



### Motor:

Nominal Voltage = 24 VDC  
 Operating Voltage Range = 16 – 32 VDC  
 Nominal Running Current = 1.7 amps  
 Locked Rotor Current = 2.9 amps  
 Running Power = 40.8 watts  
 Average Speed = 4830 RPM  
 Bearings = Ball  
 Air Flow = 332 CFM  
 Acoustic = 64 dBA

### Construction:

Venturi: Die-Cast Aluminum, Black  
 Propeller: Polycarbonate, Black, UL 94V-0

### Agency Approvals:

UL, CUL, CE

### Life Expectancy:

This fan is designed for continuous duty life of 68,000 Hours at 40C(L10).

### Additional Features:

Brushless DC Motor  
 Electronic Locked Rotor Protection  
 Polarity Protected  
 Automatic Restart Capability  
 Operating Temperature: -10°C to 70°C  
 Storage Temperature: -40°C to 85°C  
 Programmable (PWM)

### Tachometer Specifications:

Output: Open Collector  
 I<sub>c</sub>: 20 mA. Max  
 V<sub>cc</sub>: 32 VDC Max  
 Pulses per Revolution: 2  
 Isolated: No

### Termination:

12" Leadwires, 22 AWG, UL 1061  
 Red - Power (+)  
 Black - Return (-)  
 Blue/White - Tachometer Output  
 Yellow - Program (Input)

**Q Curve:**

