

SPECIFICATIONS

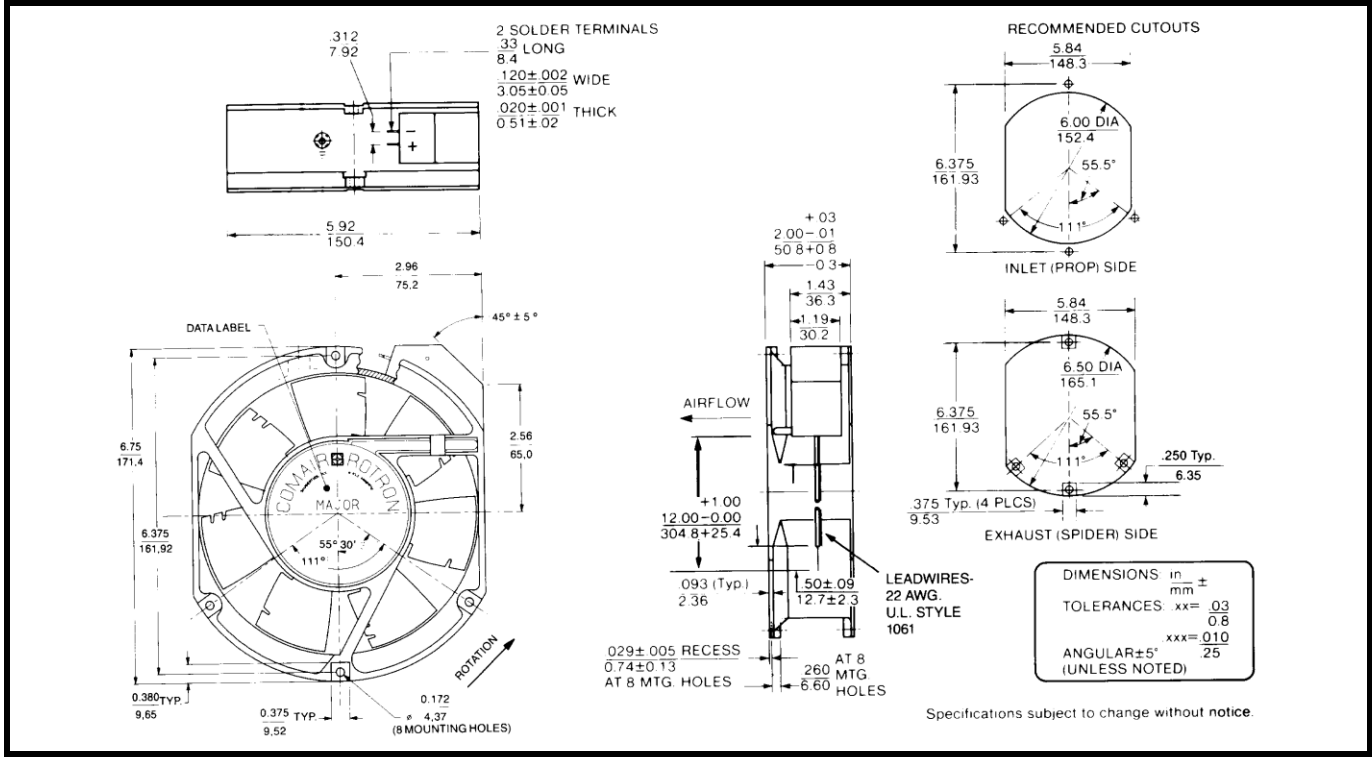
(RoHS Compliant)

Model Number: JQD24Z3
Part Number: 17000013A

Version: 01
Sep 19, 2017



Mechanical Drawing:



Motor:

Nominal Voltage = 24 vdc
 Operating Voltage Range = 16 – 32 vdc
 Nominal Running Current = 1.30 amps
 Locked Rotor Current = 2.500 amps
 Running Power = 31.2 watts
 Average Speed = 4500 rpm
 Bearings = Ball
 Air Flow = 305 CFM
 Static Pressure = 1.37" of Water
 Acoustic = 60.4 dBA

Construction:

Venturi: Die-Cast Aluminum, Black
 Propeller: Polycarbonate, Black, UL 94V-0

Agency Approvals:

UL, CUL, CE

Life Expectancy:

This fan is designed for continuous duty life of 50,000 hours at 40°C.

Additional Features:

Brushless DC Motor
 Soft Start Inrush Current
 Electronic Locked Rotor Protection
 Polarity Protected
 Automatic Restart Capability
 Operating Temperature: -40°C to 85°C
 Storage Temperature: -40°C to 85°C

Termination:

500±10mm Leadwires, 22 AWG, UL 1061
 Red - Power (+)
 Black - Return (-)

PQ Curve:

