

# SPECIFICATIONS

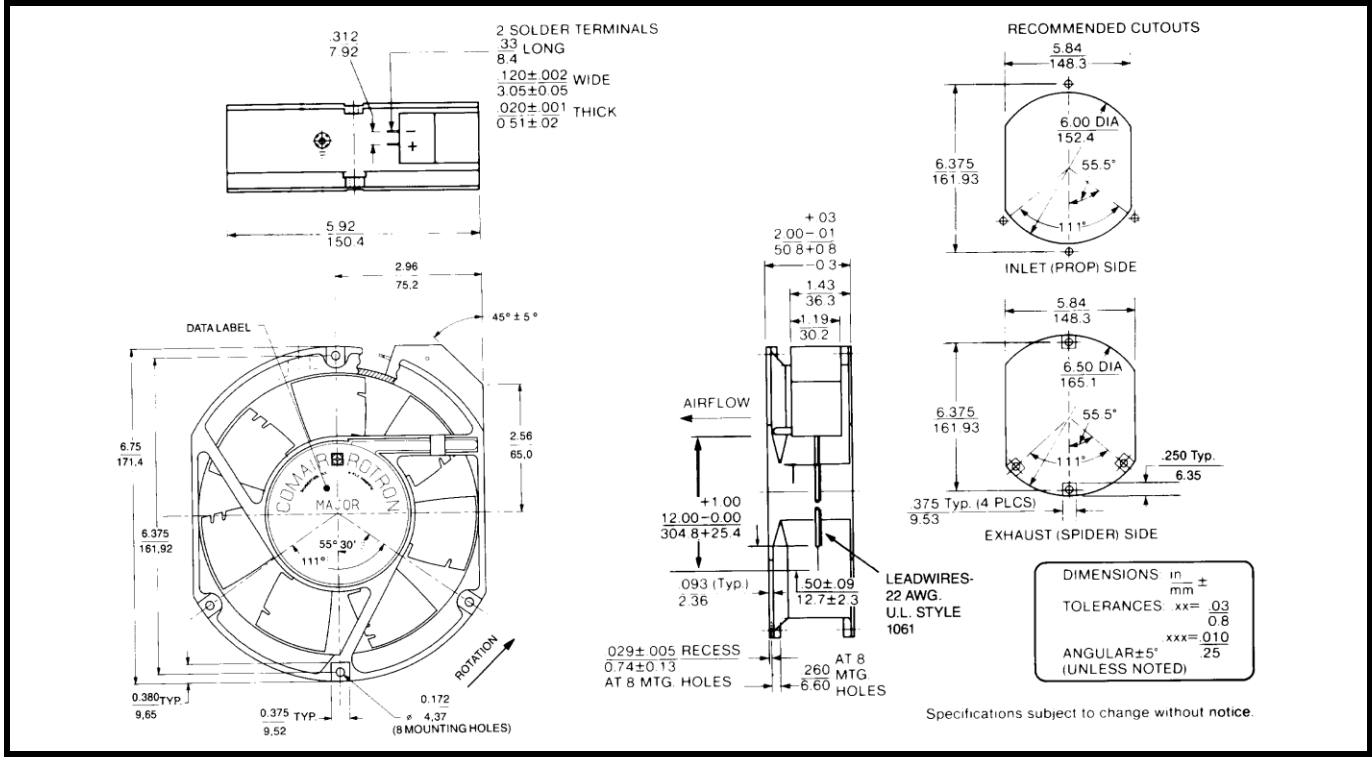
(RoHS Compliant)

**Model Number:** JQD48Z3  
**Part Number:** 17000014A

**Version:** 00  
**Sep 19, 2017**



## Mechanical Drawing:



### Motor:

Nominal Voltage = 48 vdc  
 Operating Voltage Range = 36 – 72 vdc  
 Nominal Running Current = 0.67 amps  
 Locked Rotor Current = 1.500 amps  
 Running Power = 32.2 watts  
 Average Speed = 4500 rpm  
 Bearings = Ball  
 Air Flow = 305 CFM  
 Static Pressure = 1.37" of Water  
 Acoustic = 60.4 dBA

### Construction:

Venturi: Die-Cast Aluminum, Black  
 Propeller: Polycarbonate, Black, UL 94V-0

### Agency Approvals:

UL, CUL, CE

### Life Expectancy:

This fan is designed for continuous duty life of 50,000 hours at 40°C.

### Additional Features:

Brushless DC Motor  
 Soft Start Inrush Current  
 Electronic Locked Rotor Protection  
 Polarity Protected  
 Automatic Restart Capability  
 Operating Temperature: -40°C to 85°C  
 Storage Temperature: -40°C to 85°C

### Termination:

500±10mm Leadwires, 22 AWG, UL 1061  
 Red - Power (+)  
 Black - Return (-)

**PQ Curve:**

