

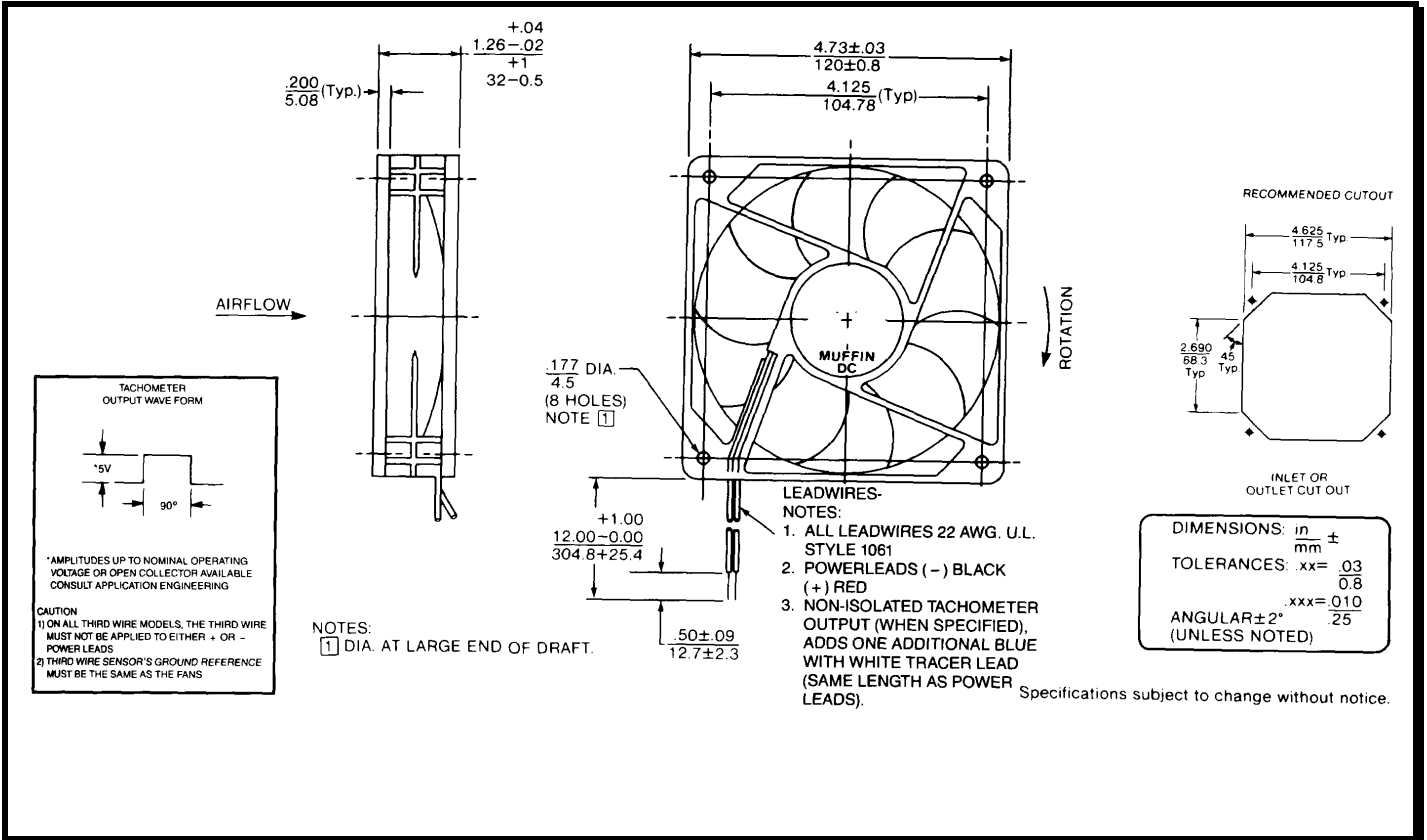
SPECIFICATIONS



Model Number: MC12K3
Part Number: 19039388A

Rev:01
Sep 22, 2017

Mechanical Drawing:



Motor:

Nominal Voltage = 12 vdc
 Operating Voltage Range = 6 – 14 vdc
 Nominal Running Current = 0.9 amps
 Max. Locked Rotor Current = 2.700 amps
 Running Power = 10.8 watts
 Average Speed = 4100
 Bearings = Ball
 Air Flow = 110 CFM
 Acoustic = 50.0 dbA

Construction:

Venturi: Lexan 500, Black, UL 94V-0
 Propeller: Plastic, Black, UL 94V-0

Life Expectancy:

This fan is designed for continuous duty life of 70,000 hours at 40°C.

Additional Information:

Brushless DC Motor
 Polarity Protected
 Electronic Locked Rotor Protection
 Automatic Restart Capability
 Operating Temperature: -10° C to 70°C
 Storage Temperature: -40°C to 85°C

Termination:

12" Lead wires, 22 AWG, UL 1061
 Red - Power (+)
 Black - Return (-)

Agency Approvals:

UL, CUL, CE

PQ Curve:

