

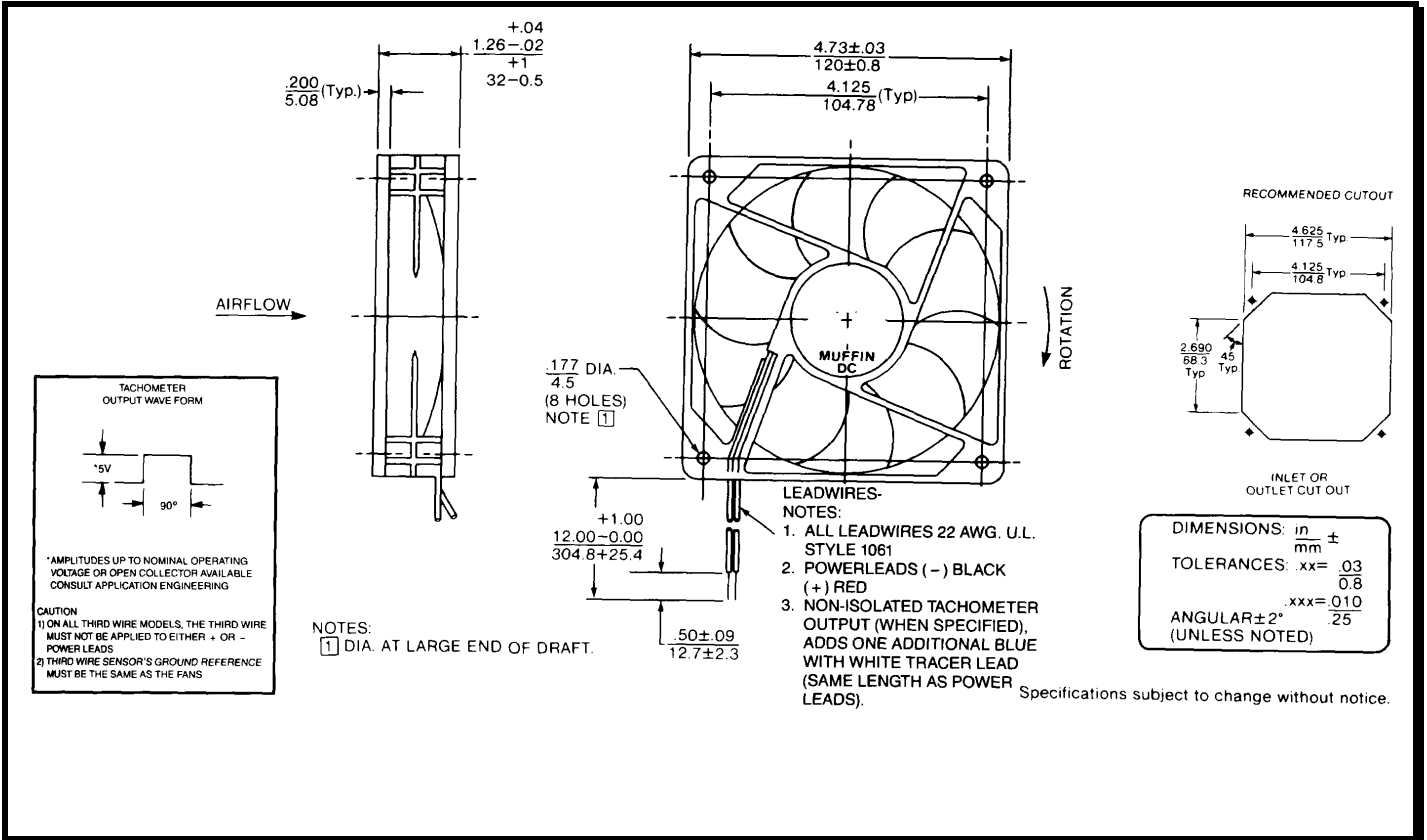
# SPECIFICATIONS



**Model Number:** MC48Z3  
**Part Number:** 17000274A

Rev:00  
 Sep 22, 2017

## Mechanical Drawing:



### Motor:

Nominal Voltage	= 48 vdc
Operating Voltage Range	= 24 -56 vdc
Nominal Running Current	= 0.25 amps
Max. Locked Rotor Current	= 1.0 amps
Running Power	= 12 watts
Average Speed	= 4500
Bearings	= Ball
Air Flow	= 122 CFM
Acoustic	= 52.0 dbA

### Construction:

Venturi: Lexan 500, Black, UL 94V-0  
 Propeller: Plastic, Black, UL 94V-0

### Life Expectancy:

This fan is designed for continuous duty life of 70,000 hours at 40°C.

### Additional Information:

Brushless DC Motor  
 Polarity Protected  
 Electronic Locked Rotor Protection  
 Automatic Restart Capability  
 Operating Temperature: -10° C to 70°C  
 Storage Temperature: -40°C to 85°C

### Termination:

12" Lead wires, 22 AWG, UL 1061  
 Red - Power (+)  
 Black - Return (-)

### Agency Approvals:

UL, CUL, CE

**PQ Curve:**

