

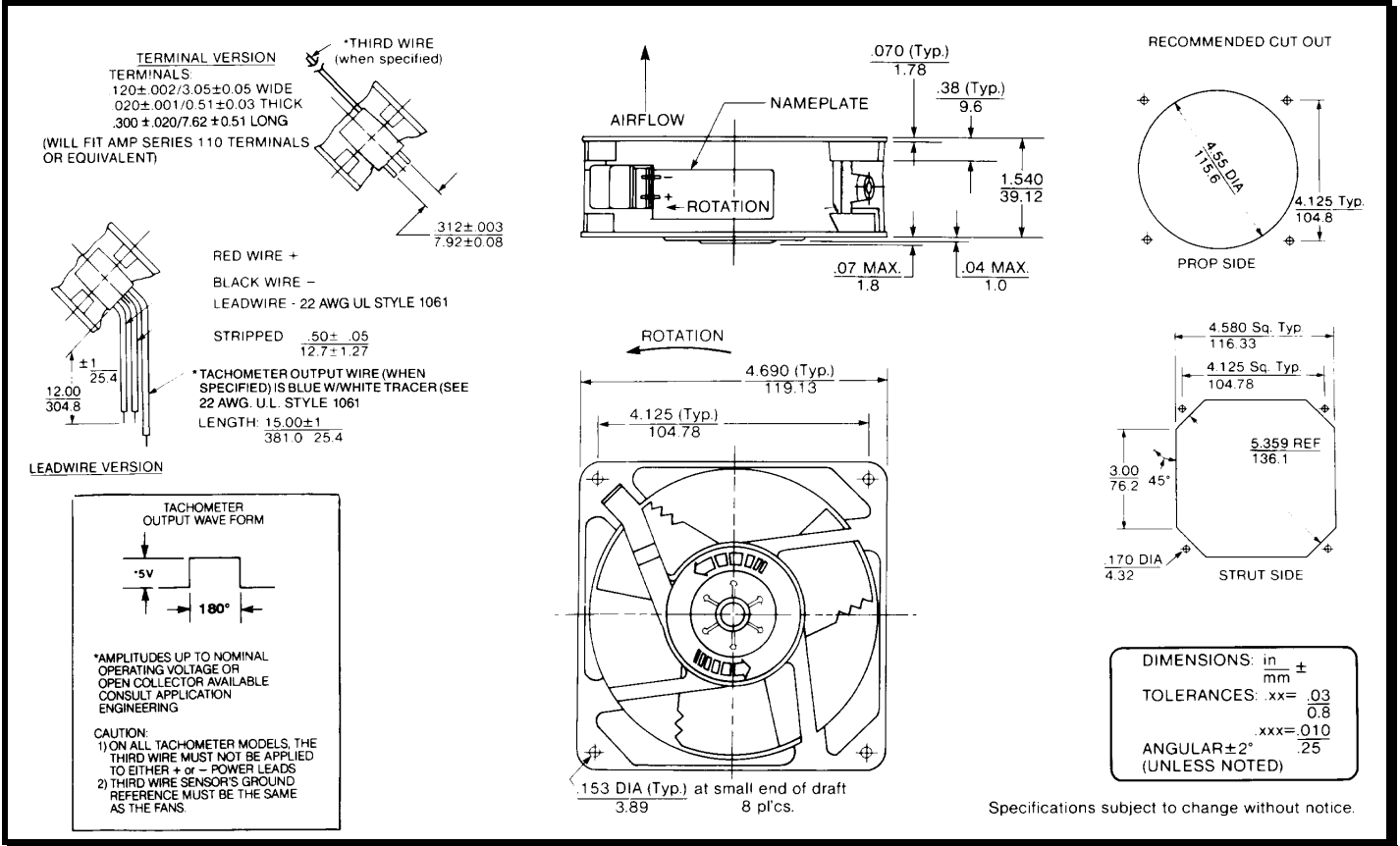
SPECIFICATIONS



Model Number: MD12K1
Part Number: 19032185A

Version: 01
Jan 08, 2018

Mechanical Drawing:



Motor:

Nominal Voltage	= 12 vdc
Operating Voltage Range	= 6 - 14vdc
Nominal Running Current	= 0.720 amps
Locked Rotor Current	= 2.00 amps
Running Power	= 8.6 watts
Average Speed	= 3650 rpm
Bearings	= Ball
Air Flow	= 125 CFM
Acoustic	= 53.5 dBA

Construction:
 Venturi: Die-Cast Zinc Alloy, Black
 Propeller: Plastic, Black, UL 94V-0

Life Expectancy:
 This fan is designed for continuous duty life of 55,000 hours at 70°C.

Additional Features:

- Brushless DC Motor
- Electronic Locked Rotor Protection
- Automatic Restart Capability
- Polarity Protected
- Operating Temperature -10°C to 70°C
- Storage Temperature -40°C to 85°C

Termination:
 12" Lead wires, AWG 22, UL 1061
 Red - Fan Power (+)
 Black - Fan Ground (-)

Agency Approvals:
 UL, CUL, CE

PQ Curve:

