

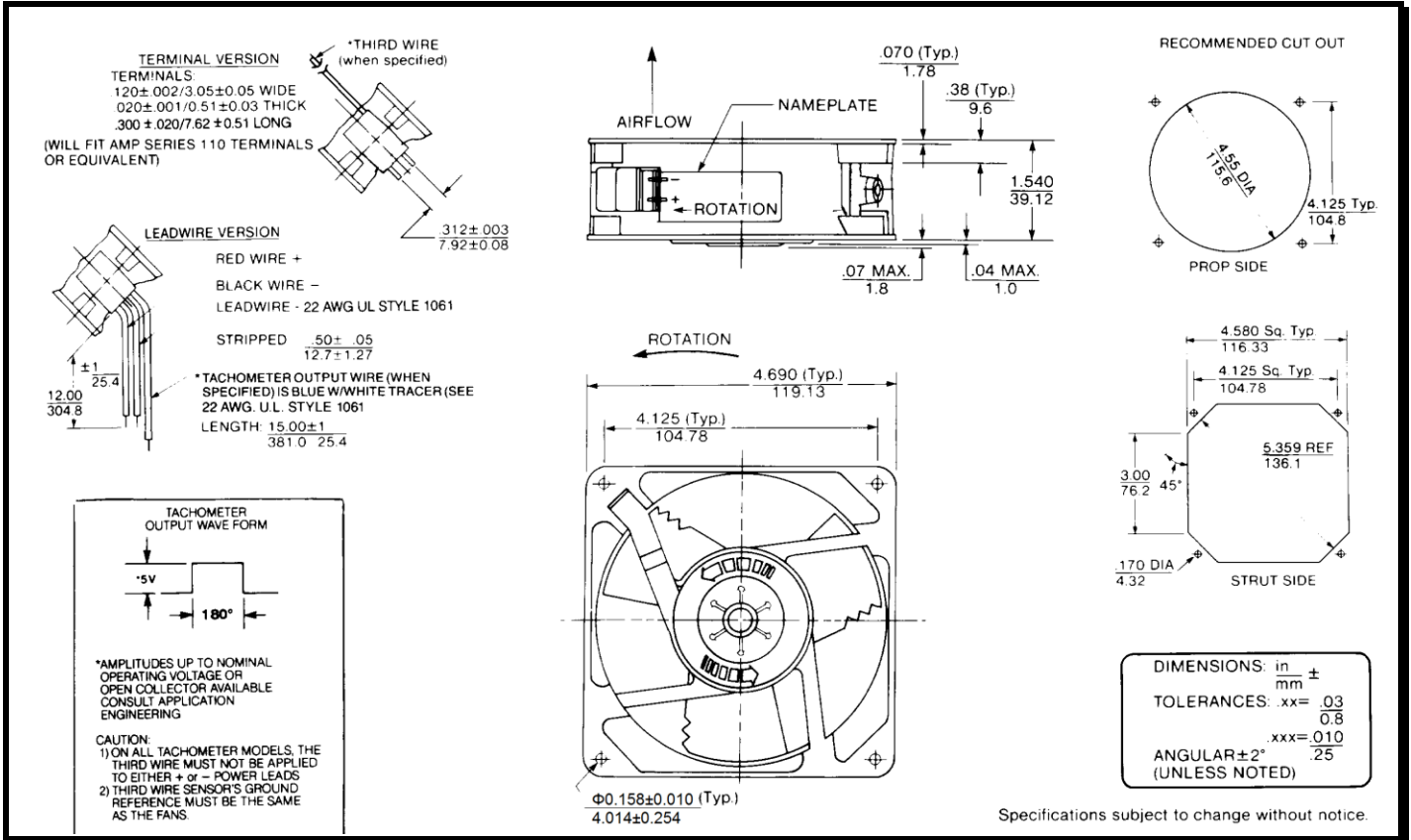
SPECIFICATIONS



Model Number: MD24K1
Part Number: 17000008A

Version: 00
July 13, 2017

Mechanical Drawing:



Motor:

Nominal Voltage = 24 vdc
 Operating Voltage Range = 16 - 32 vdc
 Running Current = 0.34 amps
 Locked Rotor Current = 0.75 amps
 Running Power = 8.2 watts
 Average Speed = 3650 rpm
 Bearings = Ball
 Air Flow = 125CFM
 Acoustic = 53.5 dBA

Construction:

Venturi: Die-Cast Aluminum, Black
 Propeller: Plastic, Black, UL 94V-0

Life Expectancy:

This fan is designed for continuous duty life of 55,000 hours at 70°C.

Additional Features:

Brushless DC Motor
 Locked Rotor Protection
 Polarity Protected
 Automatic Restart Capability
 Operating Temperature: -10°C to 70°C
 Storage Temperature: -40°C to 85°C

Termination:

12" Lead wires, 22 AWG, UL 1061
 Red = Fan Power (+)
 Black = Fan Ground (-)

Agency Approvals:

UL, CUL, CE

PQ Curve:

