

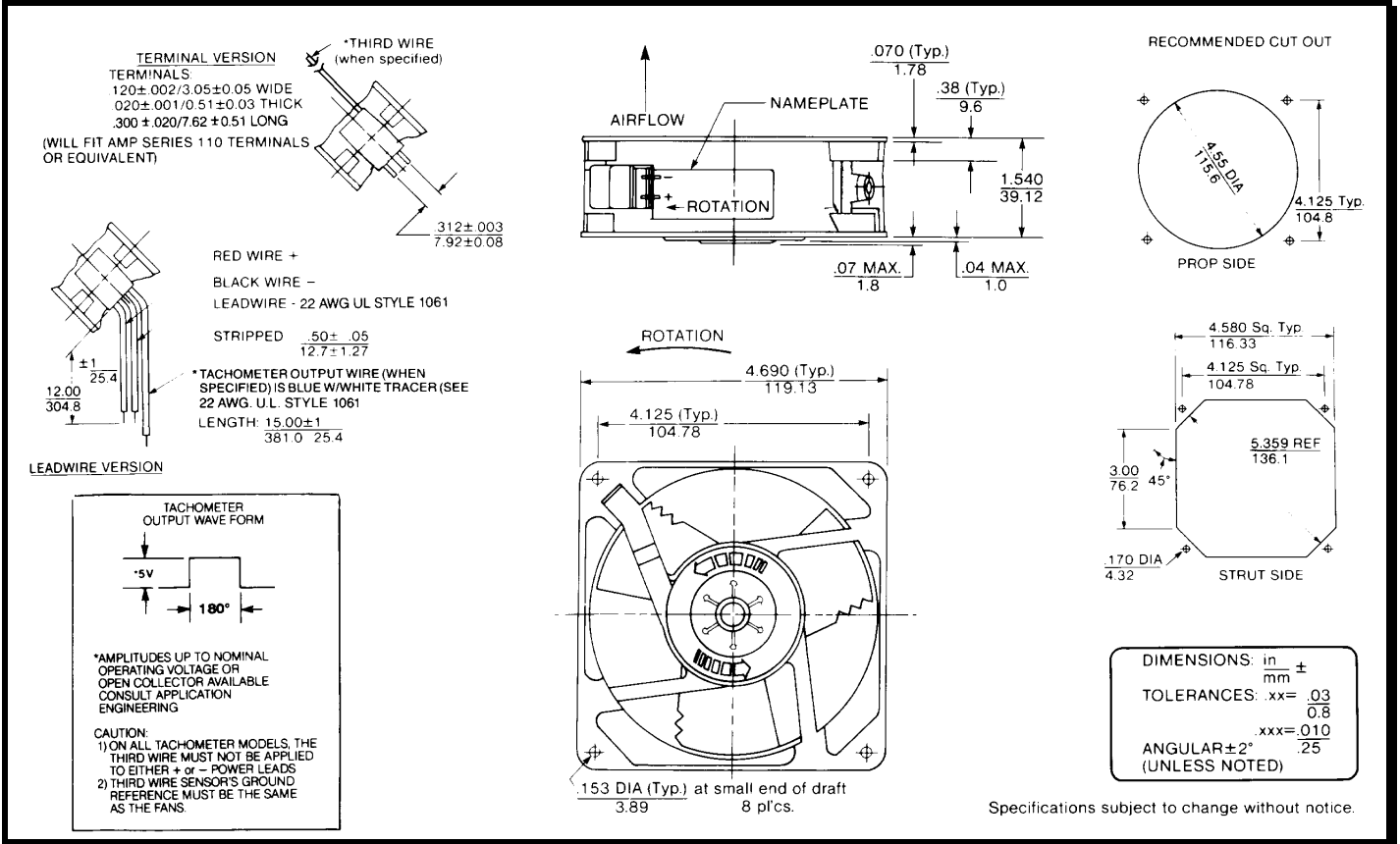
SPECIFICATIONS



Model Number: MD48K1
Part Number: 19040285A

Version: 01
Jan 08, 2018

Mechanical Drawing:



Motor:

Nominal Voltage	= 48 vdc
Operating Voltage Range	= 24 - 56vdc
Nominal Running Current	= 0.16 amps
Locked Rotor Current	= 0.60 amps
Running Power	= 7.7 watts
Average Speed	= 3650 rpm
Bearings	= Ball
Air Flow	= 125 CFM
Acoustic	= 53.5 dBA

Construction:

Venturi: Die-Cast Zinc Alloy, Black
 Propeller: Plastic, Black, UL 94V-0

Life Expectancy:

This fan is designed for continuous duty life of 55,000 hours at 70°C.

Additional Features:

Brushless DC Motor
 Electronic Locked Rotor Protection
 Automatic Restart Capability
 Polarity Protected
 Operating Temperature -10°C to 70°C
 Storage Temperature -40°C to 85°C

Termination:

12" Lead wires, AWG 22, UL 1061
 Red - Fan Power (+)
 Black - Fan Ground (-)

Agency Approvals:

UL, CUL, CE

PQ Curve:

