

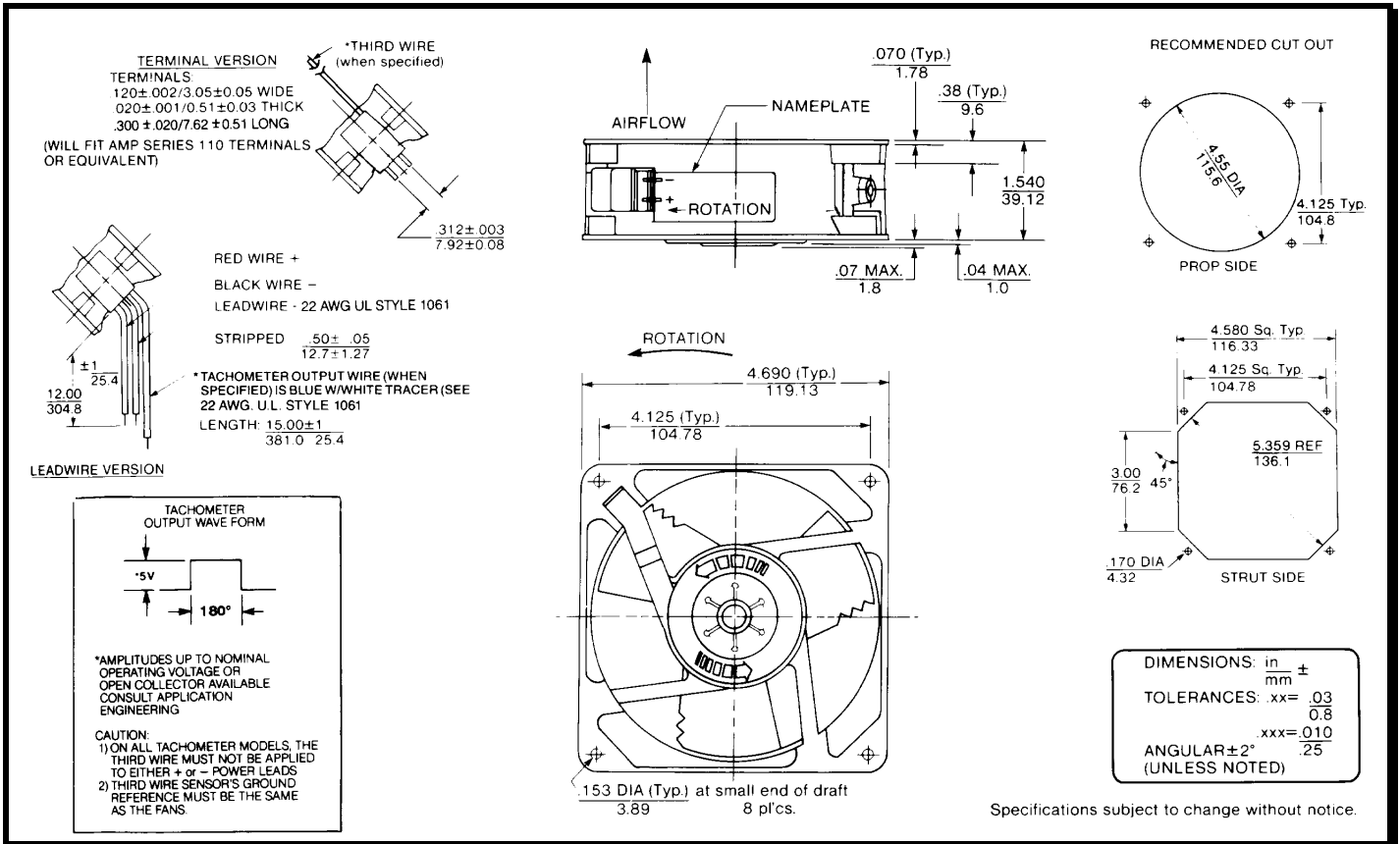
SPECIFICATIONS



Model Number: MD48Z1
Part Number: 19040285

Version: 00
Oct 23, 2017

Mechanical Drawing:



Motor:

Nominal Voltage	= 48 vdc
Operating Voltage Range	= 24 – 56 vdc
Nominal Running Current	= 0.35 amps
Locked Rotor Current	= 1.00 amps
Running Power	= 16.8 watts
Average Speed	= 4600 rpm
Bearings	= Ball
Air Flow	= 150 CFM
Acoustic	= 58.5dBA

Construction:

Venturi: Die-Cast Aluminum, Black
 Propeller: Polypropylene, Black, UL 94V-0

Life Expectancy:

This fan is designed for continuous duty life of 55,000 hours at 70°C

Additional Features:

Brushless DC Motor
 Locked Rotor Protection
 Automatic Restart Capability
 Polarity Protected
 Operating Temperature: -10°C to 70°C
 Storage Temperature: -40°C to 85°C

Termination:

12" ±1" Lead wires, AWG 22, UL 1061
 Red = Power (+)
 Black = Return (-)

Agency Approvals:

UL, CUL, CE

PQ Curve:

