

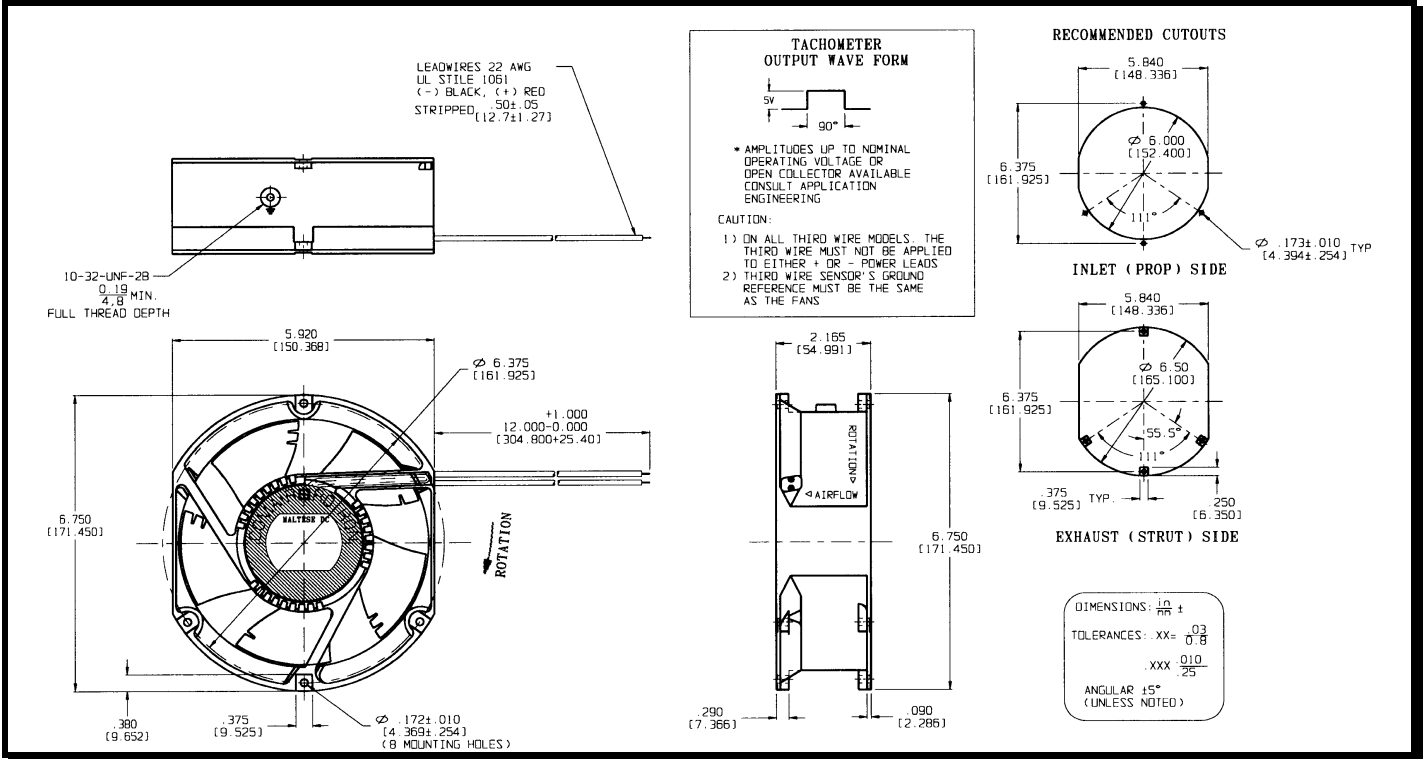
SPECIFICATIONS



Model Number: MTD24Z3
Part Number: 17000019A

Version: 00
Aug 30, 2017

Mechanical Drawing:



Motor:

Nominal Voltage	= 24 vdc
Operating Voltage Range	= 12 - 28 vdc
Nominal Running Current	= 2.2 amps
Max. Locked Rotor Current	= 3.5 amps
Running Power	= 52.8watts
Average Speed	= 4200 RPM
Bearings	= Ball
Air Flow	= 363 CFM
Acoustic	= 61.7 dBA

Construction:

Venturi: Single Piece Die-cast Aluminum, Black.
 Propeller: Plastic, Black, UL 94V-0

Life Expectancy:

This fan is designed for continuous duty life of 76,000 hours at 40°C.

Agency Approved:

UL,CUL,CE

Additional Features:

Brushless DC Motor
 Locked Rotor Protection
 Reverse Polarity Protected
 Automatic Restart Capability
 Operating Temperature: -10°C to 70°C
 Storage Temperature: -40°C to 85°C

Termination:

12" Lead wires, AWG 22, UL 1061
 Red - Power (+)
 Black - Ground (-)

PQ Curve:

