

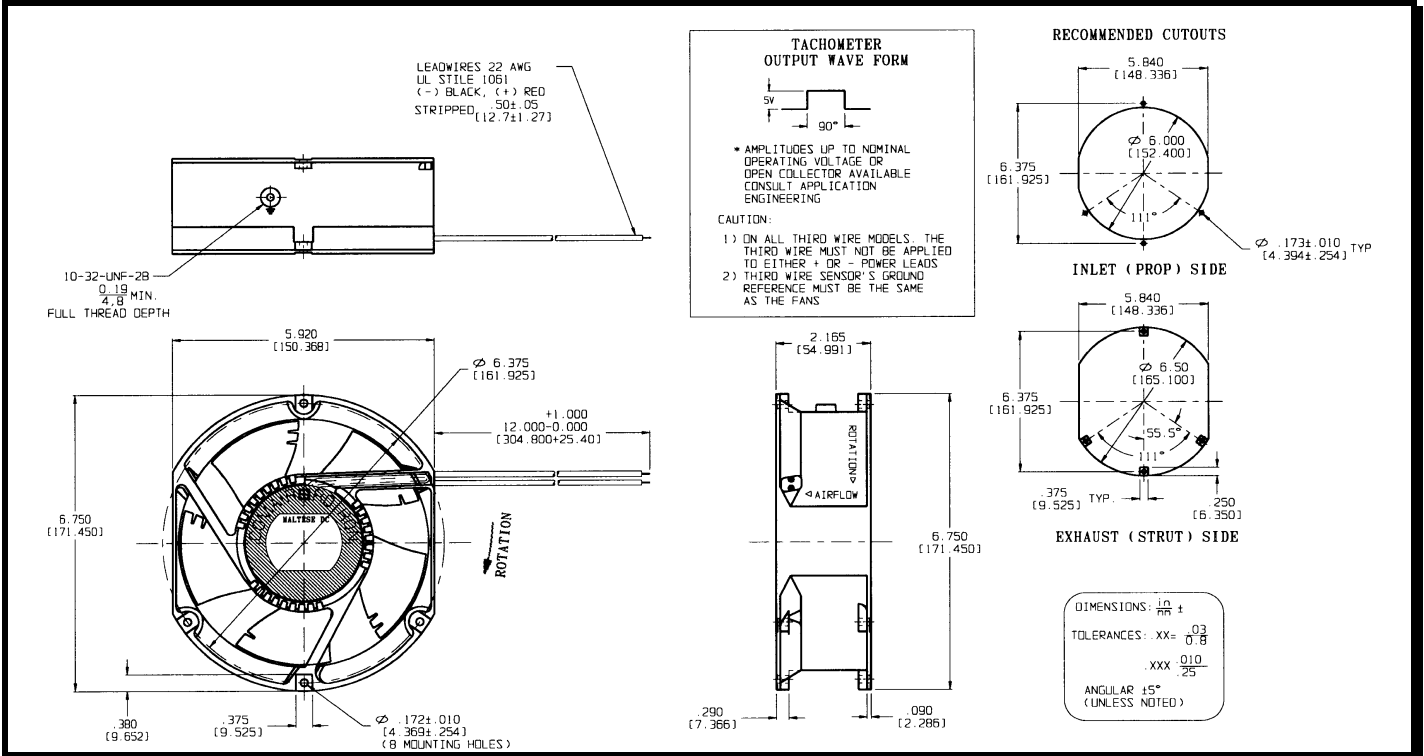
SPECIFICATIONS



Model Number: MTD48Z3
Part Number: 17000020A

Version: 00
Aug 30, 2017

Mechanical Drawing:



Motor:

Nominal Voltage = 48 vdc
 Operating Voltage Range = 24 - 56 vdc
 Nominal Running Current = 1.36 amps
 Max. Locked Rotor Current = 2.0 amps
 Running Power = 65.3watts
 Average Speed = 4200 RPM
 Bearings = Ball
 Air Flow = 363 CFM
 Acoustic = 61.7 dBA

Construction:

Venturi: Single Piece Die-cast Aluminum, Black.
 Propeller: Plastic, Black, UL 94V-0

Life Expectancy:

This fan is designed for continuous duty life of 76,000 hours at 40°C.

Agency Approved:

UL,CE

Additional Features:

Brushless DC Motor
 Locked Rotor Protection
 Reverse Polarity Protected
 Automatic Restart Capability
 Operating Temperature: -10°C to 70°C
 Storage Temperature: -40°C to 85°C

Termination:

12" Lead wires, AWG 22, UL 1061
 Red - Power (+)
 Black - Ground (-)

PQ Curve:

