

# SPECIFICATIONS

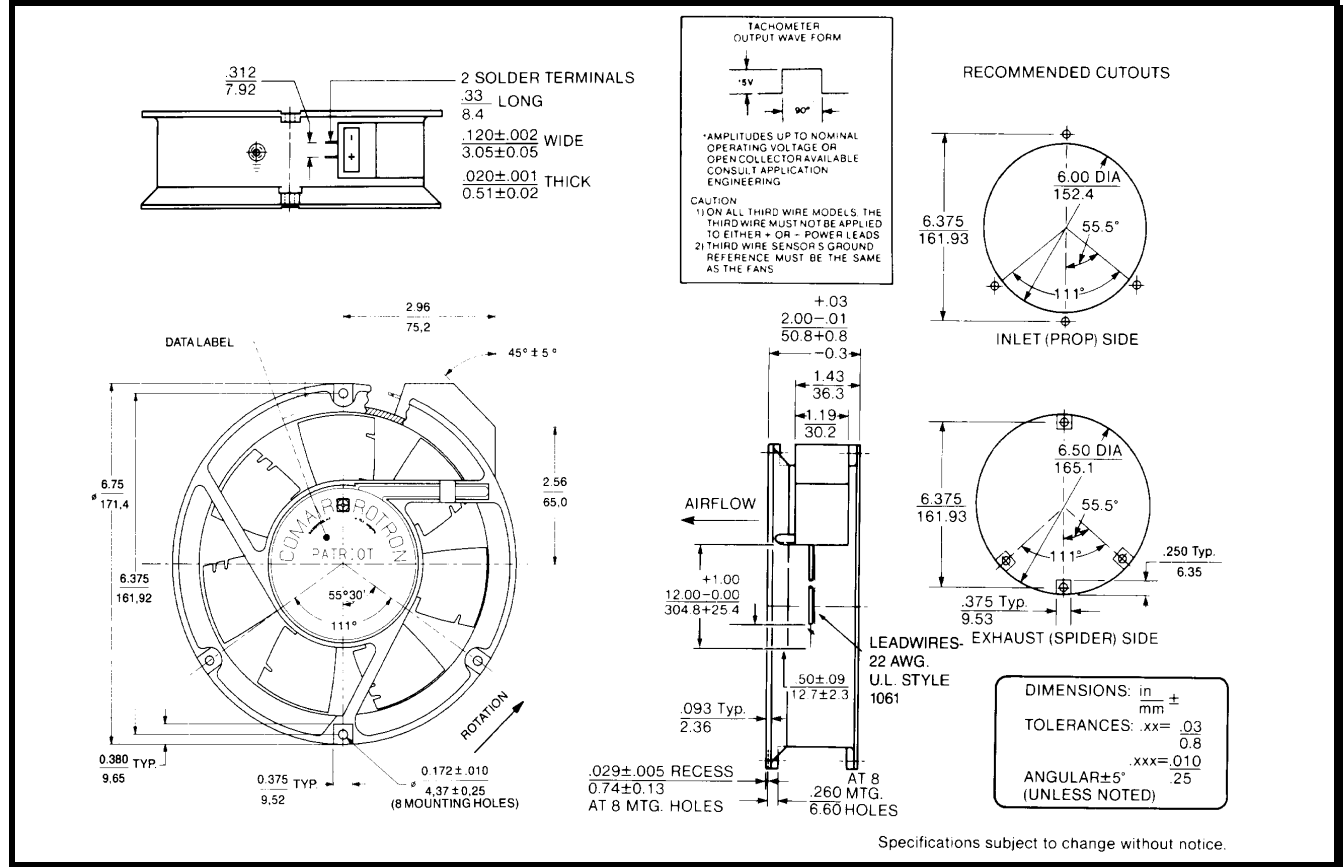
(RoHS Compliant)



**Model Number:** PQ12B4  
**Part Number:** 19031083A

**Rev:**01  
**Sep 21, 2017**

## Mechanical Drawing:



**Motor:**

Nominal Voltage	= 12 vdc
Operating Voltage Range	= 6 – 14 vdc
Nominal Running Current	= 2.260amps
Locked Rotor Current	= 4.00 amps
Running Power	= 27.1 watts
Average Speed	= 3400 RPM
Bearings	= Ball
Air Flow	= 235 CFM
Acoustic	= 54.3 dBA

**Construction:**  
 Venturi: Single piece, die-cast aluminum, Black  
 Propeller: Plastic, Black, UL 94V-0

**Life Expectancy:**  
 This fan is designed for continuous duty life of 75,000 hours at 40°C.

**Additional Features:**

- Brushless DC Motor
- Polarity Protected
- Locked Rotor Protection
- Automatic Restart Capability
- Operating Temperature: -10°C to 70°C
- Storage Temperature: -40°C to 85°C

**Termination:**  
 Two 0.110 Terminals

**Agency Approvals:**  
 UL, CUL, CE

**PQ Curve:**

