

SPECIFICATIONS

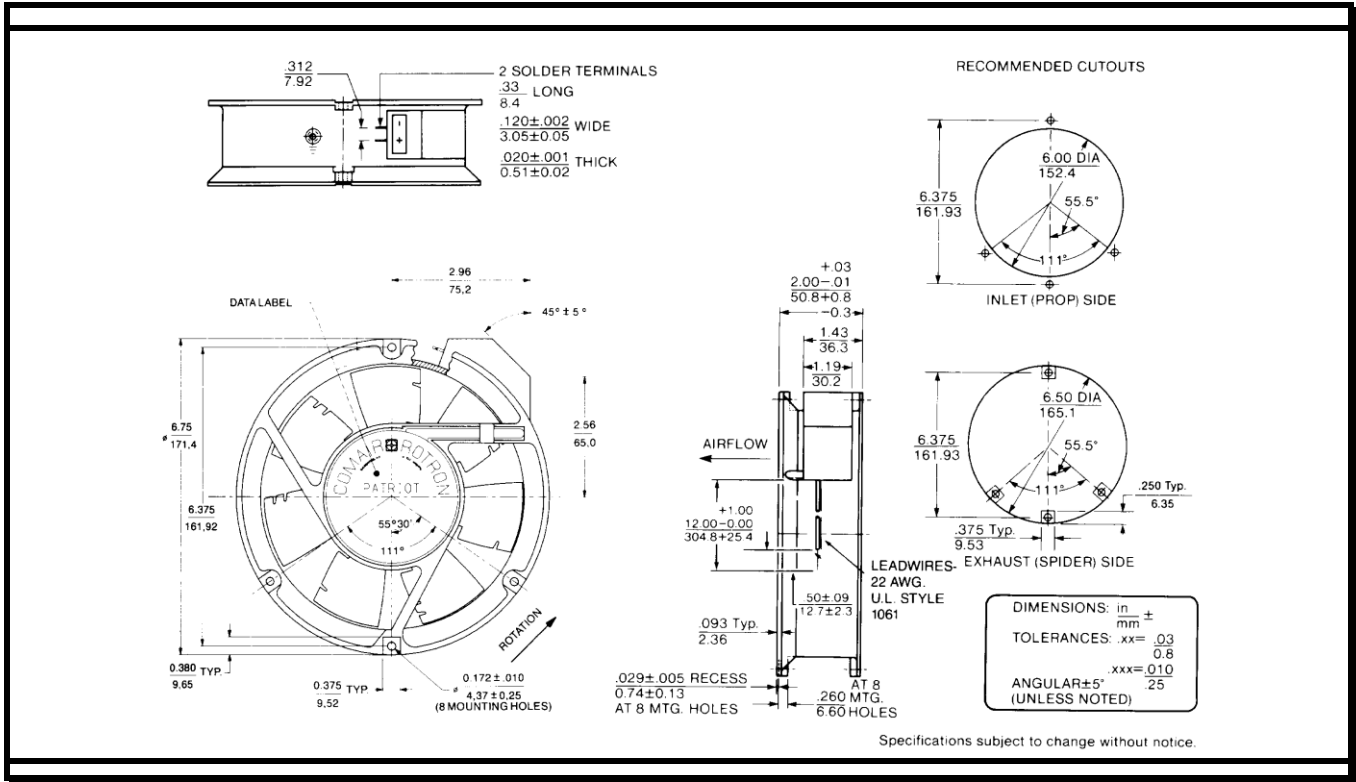
(RoHS Compliant)

Model Number: PQD48Z3
Part Number: 17000018A

Version: 02
Sep 13, 2017



Mechanical Drawing:



Motor:

Nominal Voltage = 48 vdc
 Operating Voltage Range = 28 – 72 vdc
 Nominal Running Current = 0.67 amps
 Locked Rotor Current = 1.5 amps
 Running Power = 32.2 watts
 Average Speed = 4500 rpm
 Bearings = Ball
 Air Flow = 305 CFM
 Acoustic = 60.4 dBA

Construction:

Venturi: Die-Cast Aluminum, Black
 Propeller: Polycarbonate, Black, UL 94V-0

Life Expectancy:

This fan is designed for continuous duty life of 50,000 hours at 40°C.

Additional Features:

Brushless DC Motor
 Soft Start Inrush Current
 Electronic Locked Rotor Protection
 Polarity Protected
 Automatic Restart Capability
 Operating Temperature: -40°C to 85°C
 Storage Temperature: -40°C to 85°C

Termination:

12" Leadwires, 22 AWG, UL 1061
 Red - Power (+)
 Black - Return (-)

Agency Approvals:

UL, CUL, CE

PQ Curve:

