

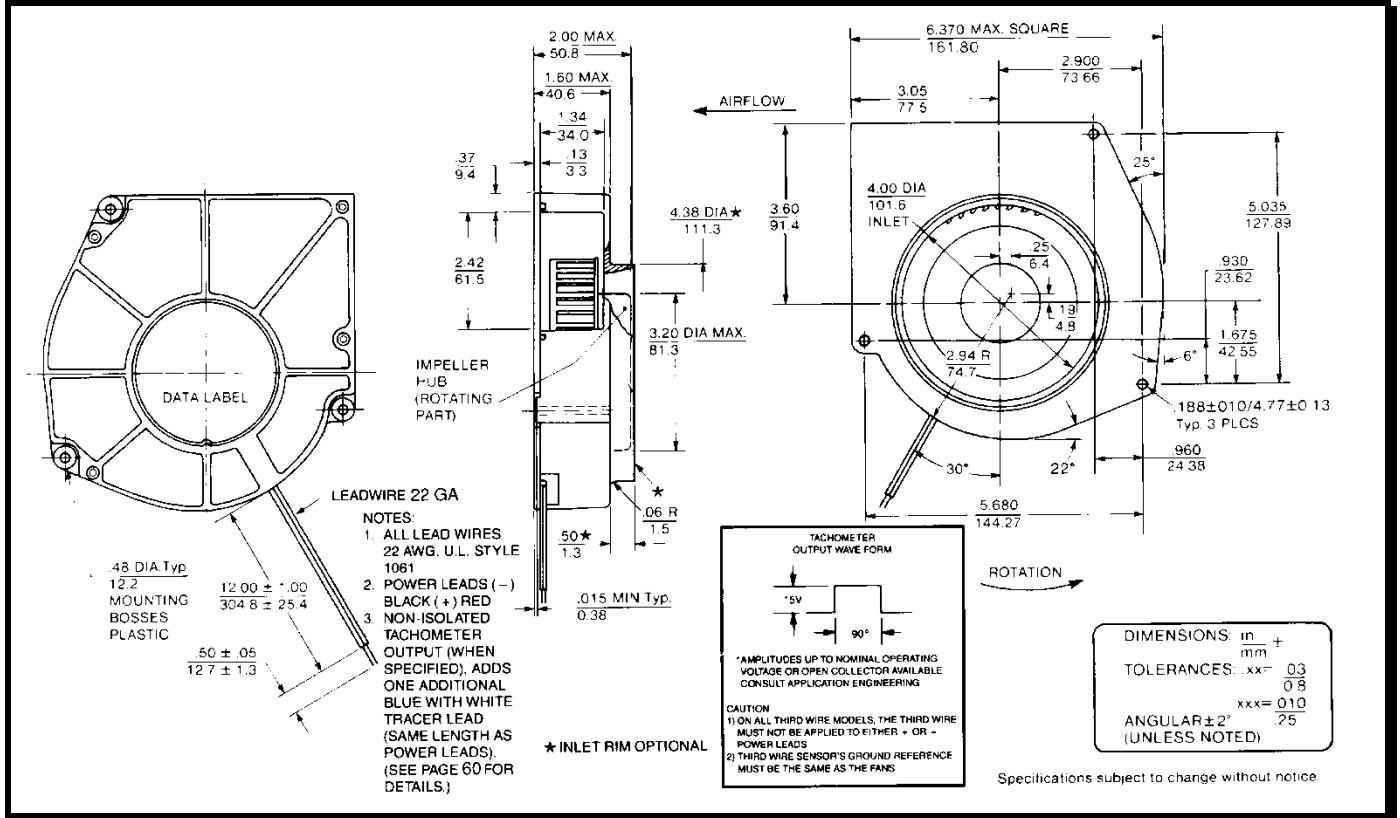
SPECIFICATIONS



Model Number: SPD12B1
Part Number: 19032572A

Version: 01
April 28, 2016

Mechanical Drawing:



Specifications:

Nominal Voltage	= 12 vdc
Operating Voltage Range	= 6 - 14 vdc
Nominal Running Current	= 2.2 amps
Locked Rotor Current	= 3.60 amps
Running Power	= 26.4 watts
Average Speed	= 2500 rpm
Bearings	= Ball
Air Flow	= 59 CFM
Acoustic	= 57.0 dBA

Construction:

Back plate: Die-Cast Zinc Alloy
Housing & Propeller: Plastic, Black, UL 94V-0

Life Expectancy:

This fan is designed for continuous duty life of 45,000 hours at 70°C.

Additional Features:

Brushless DC Motor
Polarity Protected
Locked Rotor Protection
Automatic Restart Capability
Operating Temperature: -10°C to 70°C
Storage Temperature: -40°C to 85°C

Termination:

12" lead wires, AWG 22, UL 1061
Red: = Power (+)
Black: = Return (-)

Agency Approvals:

UL, CUL, CE

PQ Curve:

