

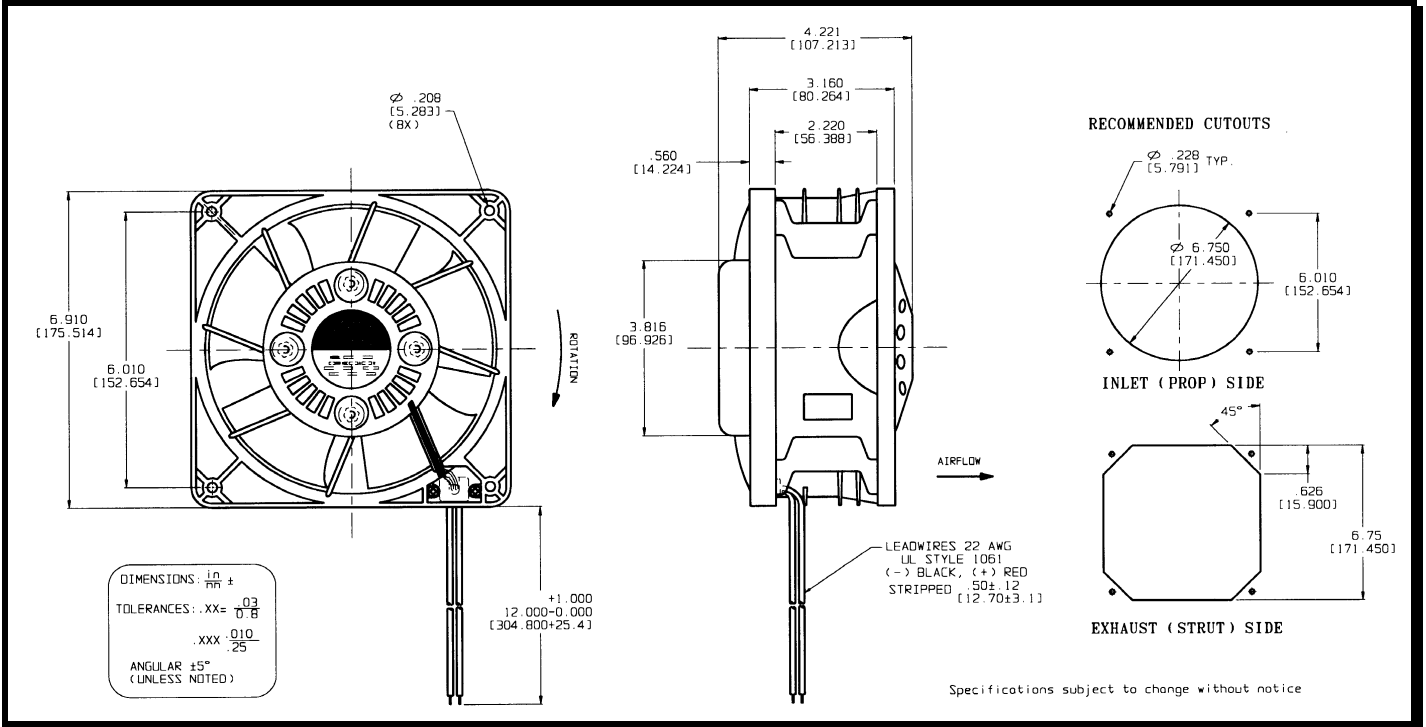
# SPECIFICATIONS



**Model Number:** TD24B1  
**Part Number:** 19031769A

Jan 18, 2013

## Mechanical Drawing:



### Motor:

Nominal Voltage = 24 vdc  
Operating Voltage Range = 12 – 28 vdc  
Nominal Running Current = 1.5 amps  
Locked Rotor Current = 3.0 amps  
Running Power = 36.0 watts  
Average Speed = 3250 rpm  
Bearings = Ball  
Air Flow = 155 cfm  
Acoustic = 65.2 dBA

### Construction:

Venturi: Plastic, Black, UL 94V-0  
Propeller: Plastic, Black, UL 94V-0

### Life Expectancy:

This fan is designed for continuous duty life of 35,000 hours at 40°C.

### Additional Features:

Brushless DC Motor  
Polarity Protected  
Locked Rotor Protection  
Automatic Restart Capability  
Operating Temperature: -10°C to 70°C  
Storage Temperature: -40°C to 85°C

### Termination:

12" Lead wires, AWG 22, UL 1061  
Red = Power (+)  
Black = Return (-)

### Agency Approvals:

UL, CUL