

SPECIFICATIONS

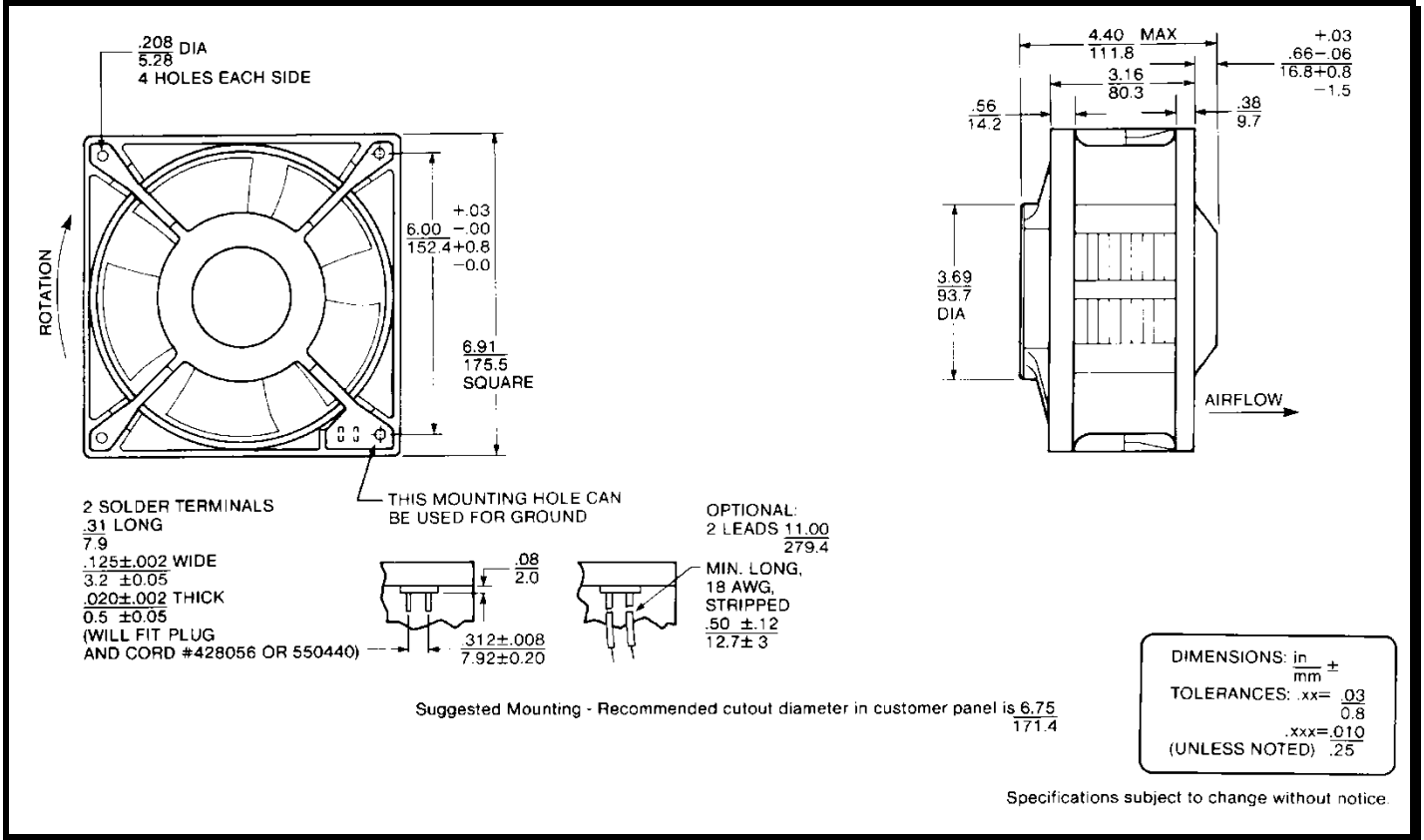
(RoHS Compliant)



Model Number: TNE3A
Part Number: 19020172A
SPEN NUMBER: 26013845A01

Jan 24, 2013

Mechanical Drawing:



Motor:

Frequency = 50/60 Hz
 Nominal Voltage = 220/230 VAC
 Nominal Running Current = 0.260 Amps
 Max. Locked Rotor Current = 0.650 Amps
 Running Power = 59 Watts
 Average Speed = 3470 RPM
 Bearings = Ball
 Air Flow = 280/340 CFM
 Acoustic = 61.6/65.4 dBA

Construction:

Venturi: Plastic, Black, UL 94V-0
 Propeller & Cover: Plastic, Black, UL 94V-0

Life Expectancy:

This fan is designed for continuous duty life of 25,000 hours at 40°C.

Additional Features:

Permanent Split Capacitor Motor
 Automatic Reset Thermal Protector
 Locked Rotor Protection
 Operating Temperature: -10°C to 70°C
 Storage Temperature: -40°C to 85°C

Termination:

Two blade terminals

Agencies:

UL, CE