

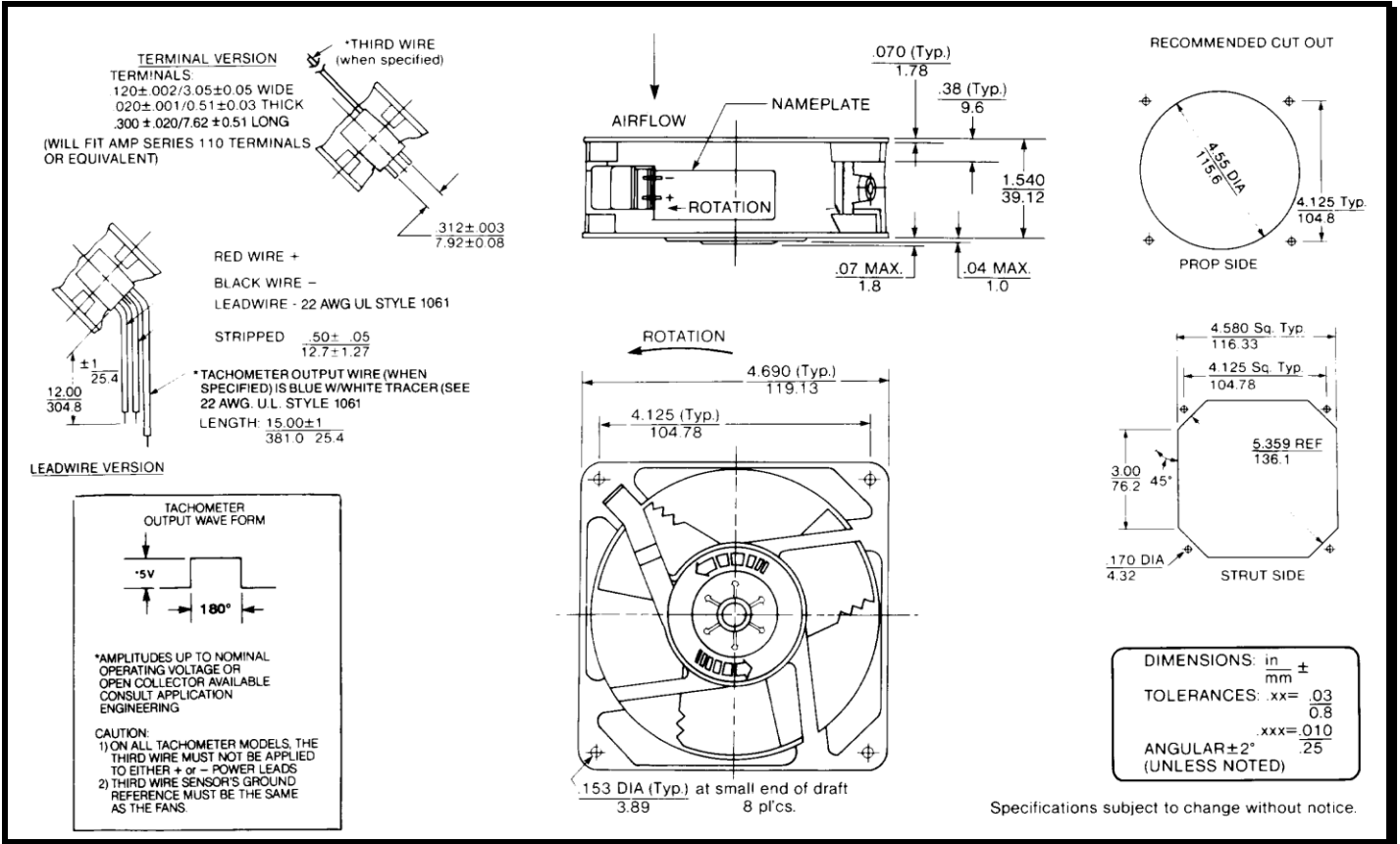
SPECIFICATIONS



Model Number: WD24M3
Part Number: 19030725A

Rev: 01
Sep 20, 2017

Mechanical Drawing:



Motor:

Nominal Voltage = 24 vdc
 Operating Voltage Range = 12 – 28 vdc
 Nominal Running Current = 0.05amps
 Locked Rotor Current = 0.30 amps
 Running Power = 1.2 watts
 Average Speed = 1650 RPM
 Bearings = Ball
 Air Flow = 55 CFM
 Acoustic = 30.3 dBA

Construction:

Venturi: Die-Cast Aluminum, Black
 Propeller: Plastic, Black, UL 94V-0

Life Expectancy:

This fan is designed for continuous duty life of 83,000 hours at 40°C.

Additional Features:

Brushless DC Motor
 Locked Rotor Protection
 Polarity Protection
 Automatic Restart Capability
 Operating Temperature: -10°C to 70°C
 Storage Temperature: -40°C to 85°C

Termination:

12" Lead wires, 22 AWG, UL 1061
 Red = Power (+)
 Black = Ground (-)

Agency Approvals:

UL, CUL, CE

PQ Curve:

