

# SPECIFICATIONS

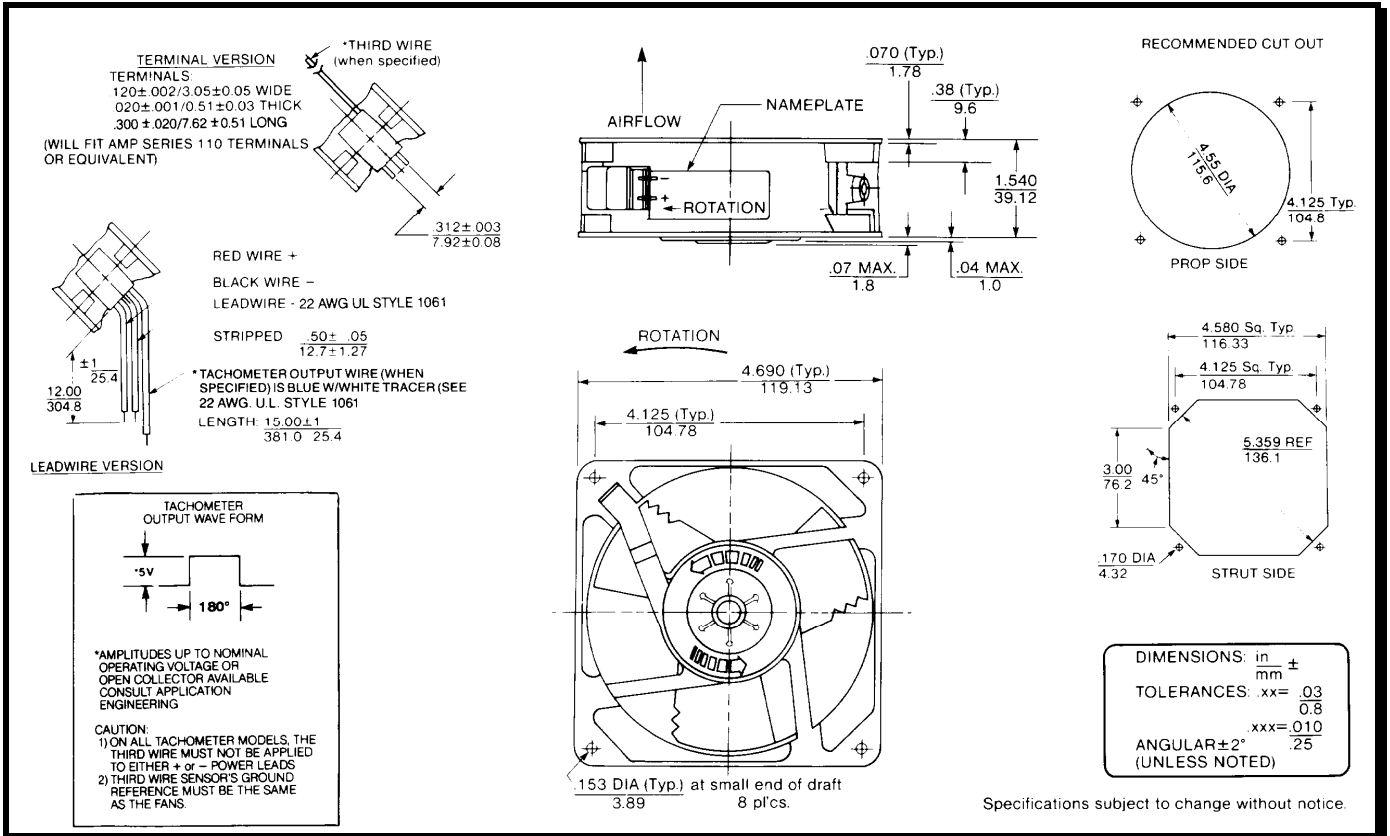
RoHS Compliant



**Model Number:** WD48B3  
**Part Number:** 030713

**SEPC:**26013956A  
**December 14, 2004**

## Mechanical Drawing:



### Motor:

Nominal Voltage = 48 vdc  
 Operating Voltage Range = 24 - 56vdc  
 Nominal Running Current = .090 amps  
 Locked Rotor Current = .235 amps  
 Running Power = 4.3 watts  
 Average Speed = 2475 rpm  
 Bearings = Ball  
 Air Flow = 85 CFM  
 Acoustic = 40.9 dBA

### Construction:

Venturi: Die-Cast Zinc Alloy, Black  
 Propeller: Plastic, Black, UL 94V-0

### Life Expectancy:

This fan is designed for continuous duty life of 83,000 hours at 40°C.

### Additional Features:

Brushless DC motor  
 Locked Rotor Protection  
 Polarity Protected  
 Automatic Restart Capability  
 Operating Temperature: -10°C to 70°C  
 Storage Temperature: -40°C to 85°C

### Termination:

12" length, 22 AWG, UL 1061  
 Red = Power (+)  
 Black = Ground (-)

### Agency Approvals:

UL