

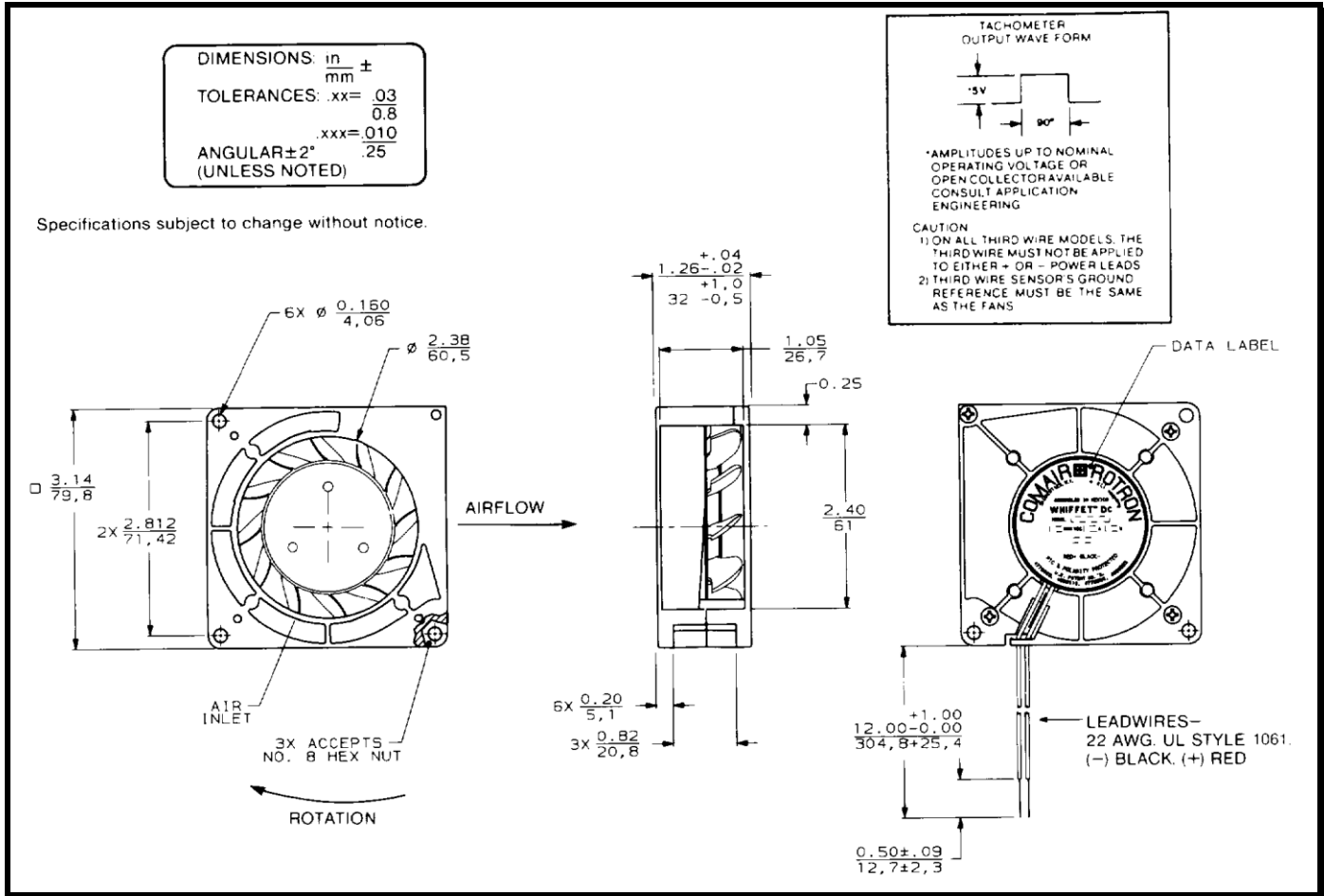
# SPECIFICATIONS



Model Number: WT12K3  
Part Number: 17000023A

Version: 01  
Jan 12, 2018

## Mechanical Drawing:



### Motor:

Nominal Voltage	= 12 vdc
Operating Voltage Range	= 8 - 16 vdc
Nominal Running Current	= 0.55 amps
Max. Locked Rotor Current	= 1.0 amps
Running Power	= 6.6 watts
Average Speed	= 4500 RPM
Bearings	= Ball
Air Flow	= 16.7 CFM
Acoustic	= 53.7 dBA

### Construction:

Venturi: Plastic, Black, UL 94V-0  
 Propeller: Plastic, Black, UL 94V-0

### Life Expectancy:

This fan is designed for continuous duty life of 55,000 hours at 70°C.

### Additional Features:

Brushless DC Motor  
 Locked Rotor Protection  
 Reverse Polarity Protected  
 Automatic Restart Capability  
 Operating Temperature: -10°C to 70°C  
 Storage Temperature: -40°C to 85°C

### Termination:

12" Lead wires, 22 AWG, UL 1061  
 Red = Fan Power (+)  
 Black = Fan Ground (-)

### Agency Approvals:

UL, CUL, CE

**PQ Curve:**

