

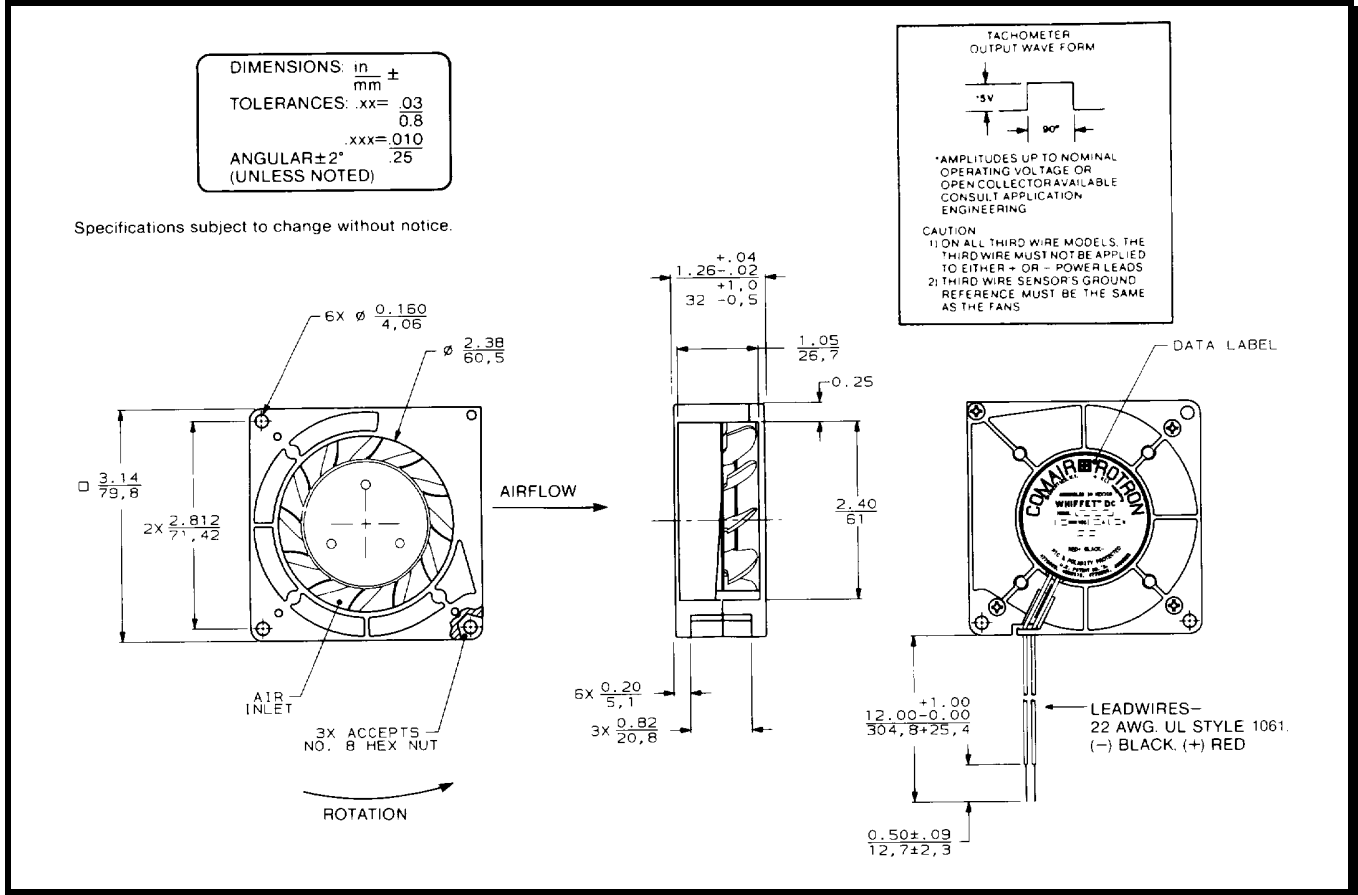
# SPECIFICATIONS



**Model Number:** WT48B3  
**Part Number:** 17000287A

**Version:** 01  
**Jan 12, 2018**

## Mechanical Drawing:



### Motor:

Nominal Voltage	= 48 vdc
Operating Voltage Range	= 36 - 60 vdc
Nominal Running Current	= 0.11 Amps
Max. Locked Rotor Current	= 1.00 Amps
Running Power	= 5.3 Watts
Average Speed	= 4050 RPM
Bearings	= Ball
Air Flow	= 15 CFM
Acoustic	= 51.4 dBA

### Construction:

Venturi: Plastic, Black, UL 94V-0  
 Propeller: Polypropylene, Black, UL 94V-0

### Life Expectancy:

This fan is designed for continuous duty life of 55,000 hours at 70°C.

### Additional Features:

- Brushless DC Motor
- Locked Rotor Protection
- Automatic Restart Capability
- Polarity Protected
- Operating Temperature: -10°C to 70°C
- Storage Temperature: -40°C to 85°C

### Termination:

12" leadwires, 22AWG, UL 1061  
 Red Power (+)  
 Black Return (-)

### Agency Approvals:

UL, CUL, CE

**PQ Curve:**

