

SPECIFICATIONS

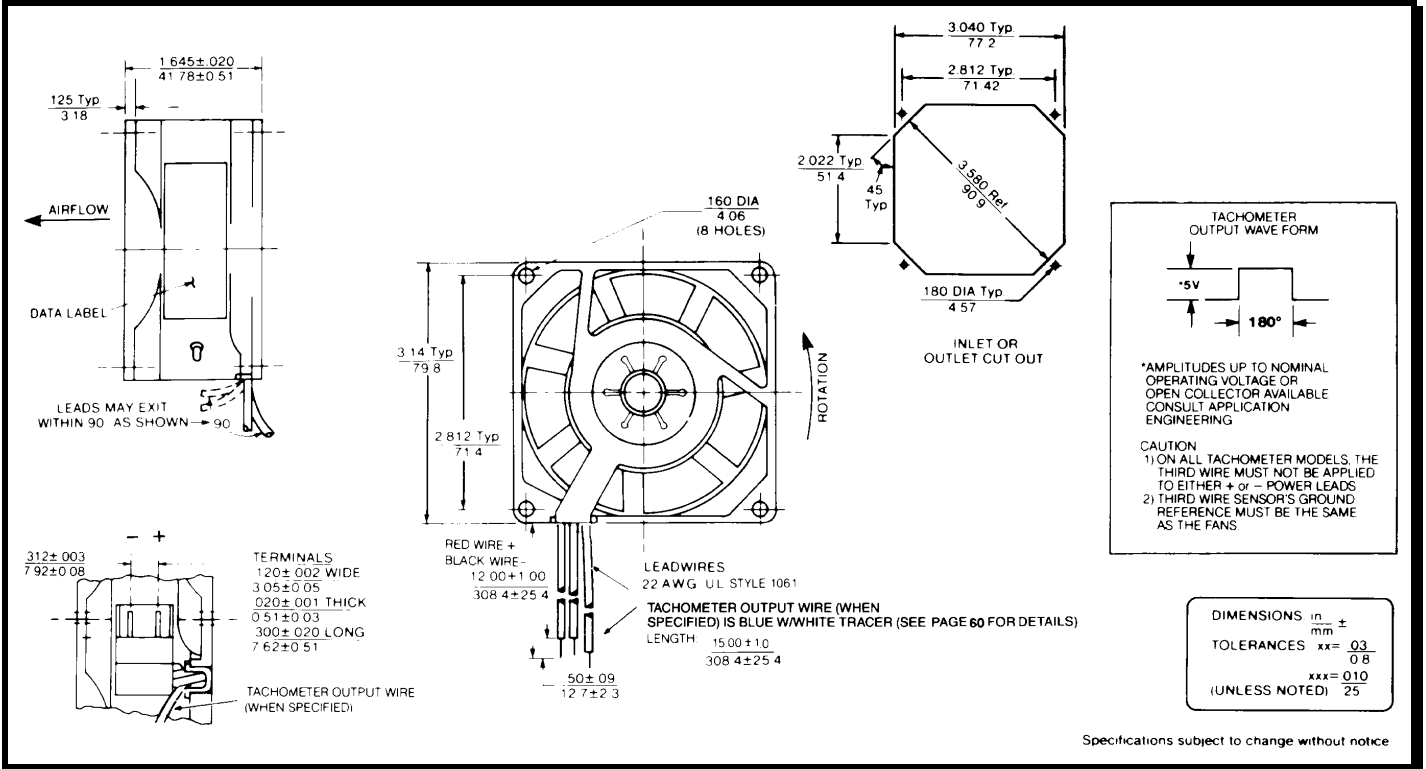
(RoHS Compliant)



Model Number: SDD12K1E2X-E3
Part Number: 17001141A

Version: 01
Aug 08, 2019

Mechanical Drawing:



Motor:

| | |
|-------------------------|--------------|
| Nominal Voltage | = 12 vdc |
| Operating Voltage Range | = 8 – 16vdc |
| Nominal Running Current | = 0.430 amps |
| Locked Rotor Current | = 1.00 amps |
| Running Power | = 5.2 watts |
| Average Speed | = 4200 |
| Bearings | = Ball |
| Air Flow | = 43 CFM |
| Acoustic | = 52.1 dBA |

Construction:

Venturi: Single Piece Die-Cast Zinc Alloy, Black
 Propeller: Plastic, Black, UL 94V-0

Life Expectancy:

This fan is designed for continuous duty life of 52,000 hours at 70°C.

Termination:

12" ± 1" (304.8 ± 25.4mm) 22AWG UL1061 Leadwires
 Red = Power(+)
 Black = Return(-)
 Blue/White = Tach output
 Yellow = PWM control

Additional Features:

Brushless DC Motor
 Automatic Restart Capability
 Electronic Locked Rotor Protection
 Polarity Protected
 Operating Temperature: -10°C to 70°C
 Storage Temperature: -40°C to 85°C
 Environmental Protection: Type 3(IP68)

TACHOMETER:

Output: Open Collector
 I_c: 20 mA max.
 V_{cc}: 32 Vdc max.
 Pulses per Revolution: 1
 Isolated: No

Speed Control:

PWM: 200 ~ 2 KHz, Open Collector
 <10% Duty: Off
 10%~95% Duty: Linear Ramp
 >95% Duty or Open Lead Wire: Full Speed

Agencies:

UL, CUL, CE

PQ Curve:

