

# SPECIFICATIONS

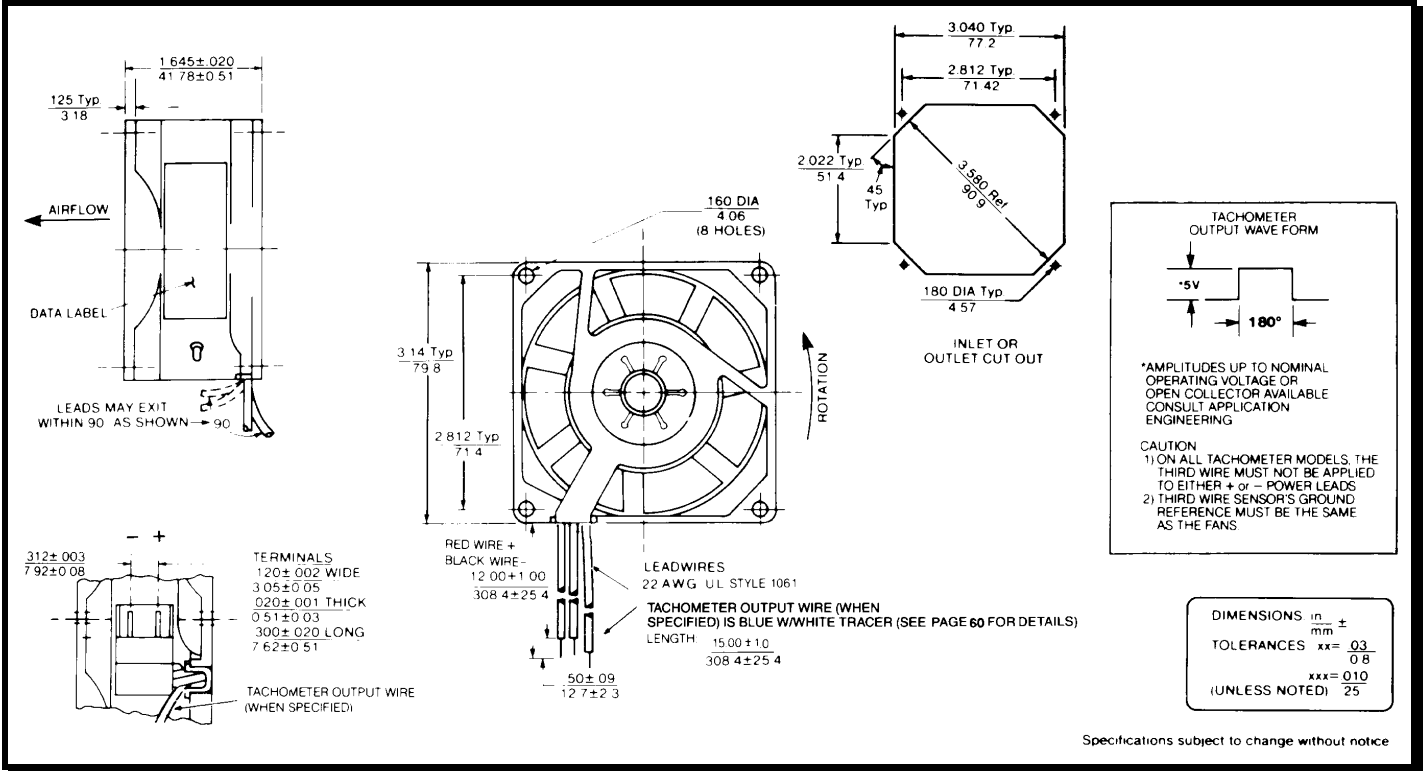
(RoHS Compliant)

**Model Number:** SDD12Z1E2X-E3  
**Part Number:** 17001144A

**Version:** 01  
**Aug 08, 2019**



## Mechanical Drawing:



### Motor:

Nominal Voltage	= 12 vdc
Operating Voltage Range	= 8 – 16vdc
Nominal Running Current	= 0.680 amps
Locked Rotor Current	= 1.50 amps
Running Power	= 8.1 watts
Average Speed	= 4900
Bearings	= Ball
Air Flow	= 50 CFM
Acoustic	= 55.4 dBA

### Construction:

Venturi: Single Piece Die-Cast Zinc Alloy, Black  
 Propeller: Plastic, Black, UL 94V-0

### Life Expectancy:

This fan is designed for continuous duty life of 52,000 hours at 70°C.

### Termination:

12"±1"(304.8±25.4mm) 22AWG UL1061 Leadwires  
 Red = Power(+)  
 Black = Return(-)  
 Blue/White = Tach output  
 Yellow = PWM control

### Additional Features:

Brushless DC Motor  
 Automatic Restart Capability  
 Electronic Locked Rotor Protection  
 Polarity Protected  
 Operating Temperature: -10°C to 70°C  
 Storage Temperature: -40°C to 85°C  
 Environmental Protection: Type 3(IP68)

### TACHOMETER:

Output: Open Collector  
 I<sub>c</sub>: 20 mA max.  
 V<sub>cc</sub>: 32 Vdc max.  
 Pulses per Revolution: 1  
 Isolated: No

### Speed Control:

PWM: 200 ~ 2 KHz, Open Collector  
 <10% Duty: Off  
 10%~95% Duty: Linear Ramp  
 >95% Duty or Open Lead Wire: Full Speed

### Agencies:

UL, CUL, CE

**PQ Curve:**

