

# SPECIFICATIONS

(RoHS Compliant)



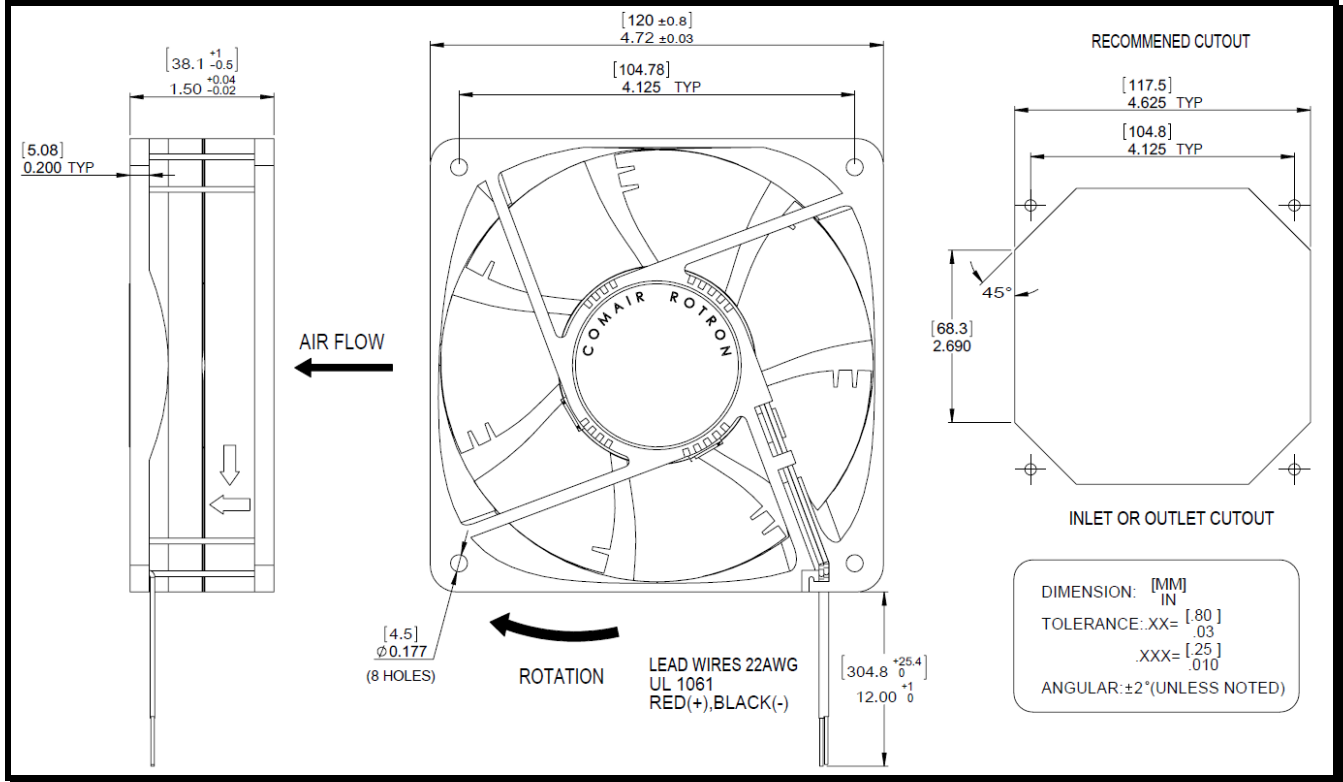
**Model Number:** MSD24B3E2X-E3

**Version:** 00

**Part Number:** 17001157A

**Jun 12, 2018**

## Mechanical Drawing:



### Motor:

Nominal Voltage	= 24 vdc
Operating Voltage Range	= 16 - 32 vdc
Nominal Running Current	= 0.29 amps
Max. Locked Rotor Current	= 0.73 amps
Running Power	= 7.0 watts
Average Speed	= 3000 RPM
Bearings	= Ball
Air Flow	= 110 CFM
Acoustic	= 49.1 dBA

### Construction:

Venturi: Plastic, Black, UL 94V-0  
 Propeller: Plastic, Black, UL 94V-0

### Life Expectancy:

This fan is designed for continuous duty life of 45,000 hours at 70°C.

### Termination:

12"±1" (304.8±25.4mm) 22AWG UL1061 Leadwires  
 Red = Power(+)  
 Black = Return(-)  
 Blue/White = Tach output  
 Yellow = PWM control

### Additional Features:

Brushless DC Motor  
 Automatic Restart Capability  
 Electronic Locked Rotor Protection  
 Polarity Protected  
 Operating Temperature: -10°C to 70°C  
 Storage Temperature: -40°C to 85°C  
 Environmental Protection: Type 3(IP68)

### Tachometer:

Output: Open Collector  
 Ic: 20 mA max.  
 Vcc: 32 Vdc max.  
 Pulses per Revolution: 2  
 Isolated: No

### Speed Control:

PWM: 200 ~ 2 KHz, Open Collector  
 <10% Duty: Off  
 10%~95% Duty: Linear Ramp  
 >95% Duty or Open Lead Wire: Full Speed

### Agencies:

UL, CUL, CE

**PQ Curve:**

