

SPECIFICATIONS

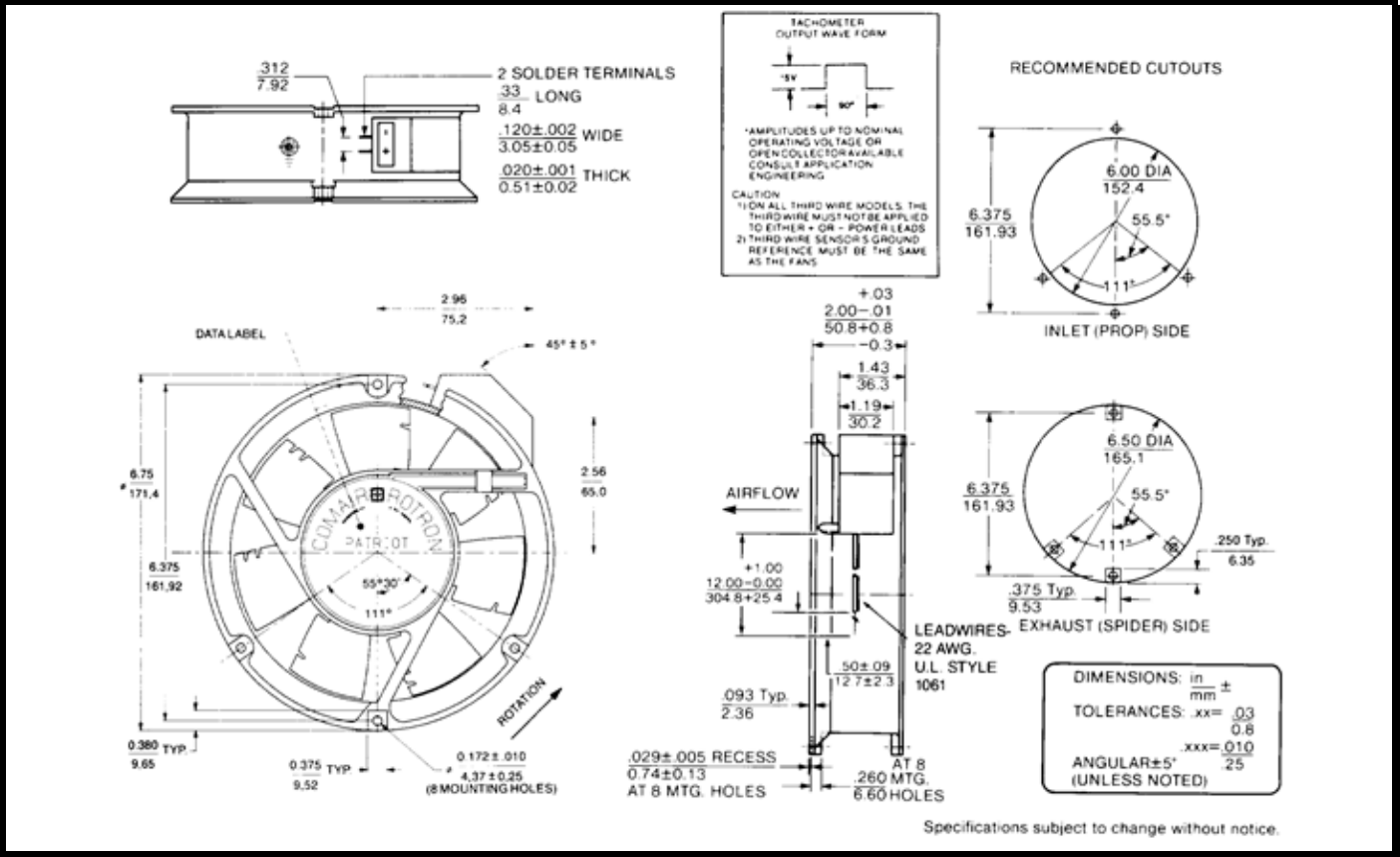
(Rohs Compliant)



Model Number: PQD48K3E2X-E3
Part Number: 17001194A

Version: 01
Apr 01, 2020

Mechanical Drawing:



Motor:

Nominal Voltage	= 48 vdc
Operating Voltage Range	= 36 - 60 vdc
Nominal Running Current	= 0.90 amps
Locked Rotor Current	= 1.50 amps
Running Power	= 43.20 watts
Average Speed	= 4200 RPM
Bearings	= Ball
Air Flow	= 285 CFM
Acoustic	= 58.9 dBA

Construction:

Venturi: Die-cast aluminum, Black
 Propeller: Plastic, Black, UL 94V-0

Life Expectancy:

This fan is designed for continuous duty life of 58,000 hours at 70°C.

Termination:

12"±1"(304.8±25.4mm) 22AWG UL1061 Leadwires

Red	= Power(+)
Black	= Return(-)
Blue/White	= Tach output
Yellow	= PWM control

Additional Features:

- Brushless DC Motor
- Locked Rotor Protection
- Polarity Protected
- Automatic Restart Capability
- Operating Temperature: -10°C to 70°C
- Storage Temperature: -40°C to 85°C
- Environmental Protection: Type 3(IP68)

TACHOMETER:

Output:	Open Collector
Ic:	20 mA max.
Vcc:	60 Vdc max.
Pulses per Revolution:	2
Isolated:	No

Speed Control:

- PWM: 200 ~ 2 KHz, Open Collector
- <10% Duty: Off
- 10%~95% Duty: Linear Ramp
- >95% Duty or Open Lead Wire: Full Speed

Agency Certifications:

UL, CUL, CE

PQ Curve:

