

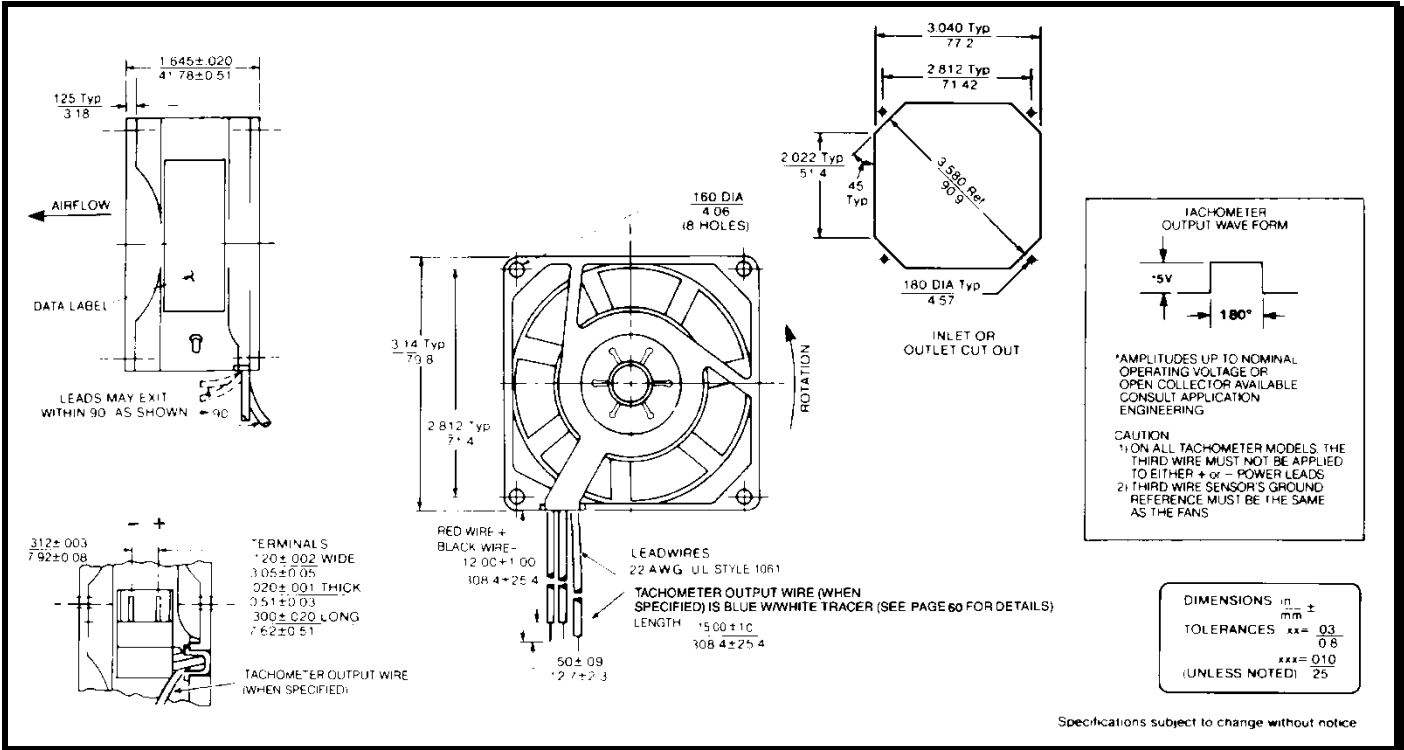
# SPECIFICATIONS



**Model Number:** SD24B2  
**Part Number:** 19032002A

**Version:** 01  
**Jan 19, 2018**

## Mechanical Drawing:



### Motor:

Nominal Voltage = 24vdc  
 Operating Voltage Range = 12 - 28vdc  
 Nominal Running Current = 0.130 amps  
 Locked Rotor Current = 0.600 amps  
 Running Power = 3.0 watts  
 Average Speed = 3500  
 Bearings = Ball  
 Air Flow = 35 CFM  
 Acoustic = 47.6 dBA

### Construction:

Venturi: Single Piece Die-Cast Aluminum, Black  
 Propeller: Plastic, Black, UL 94V-0

### Life Expectancy:

This fan is designed for continuous duty life of 52,000 hours at 70°C.

### Additional Features:

Brushless DC Motor  
 Polarity Protected  
 Locked Rotor Protection  
 Automatic Restart Capability  
 Operating Temperature = -10°C to 70°C  
 Storage Temperature: = -40°C to 85°C

### Agency Approvals:

UL, CUL, CE

### Termination:

2x 0.120" Terminals

**PQ Curve:**

