

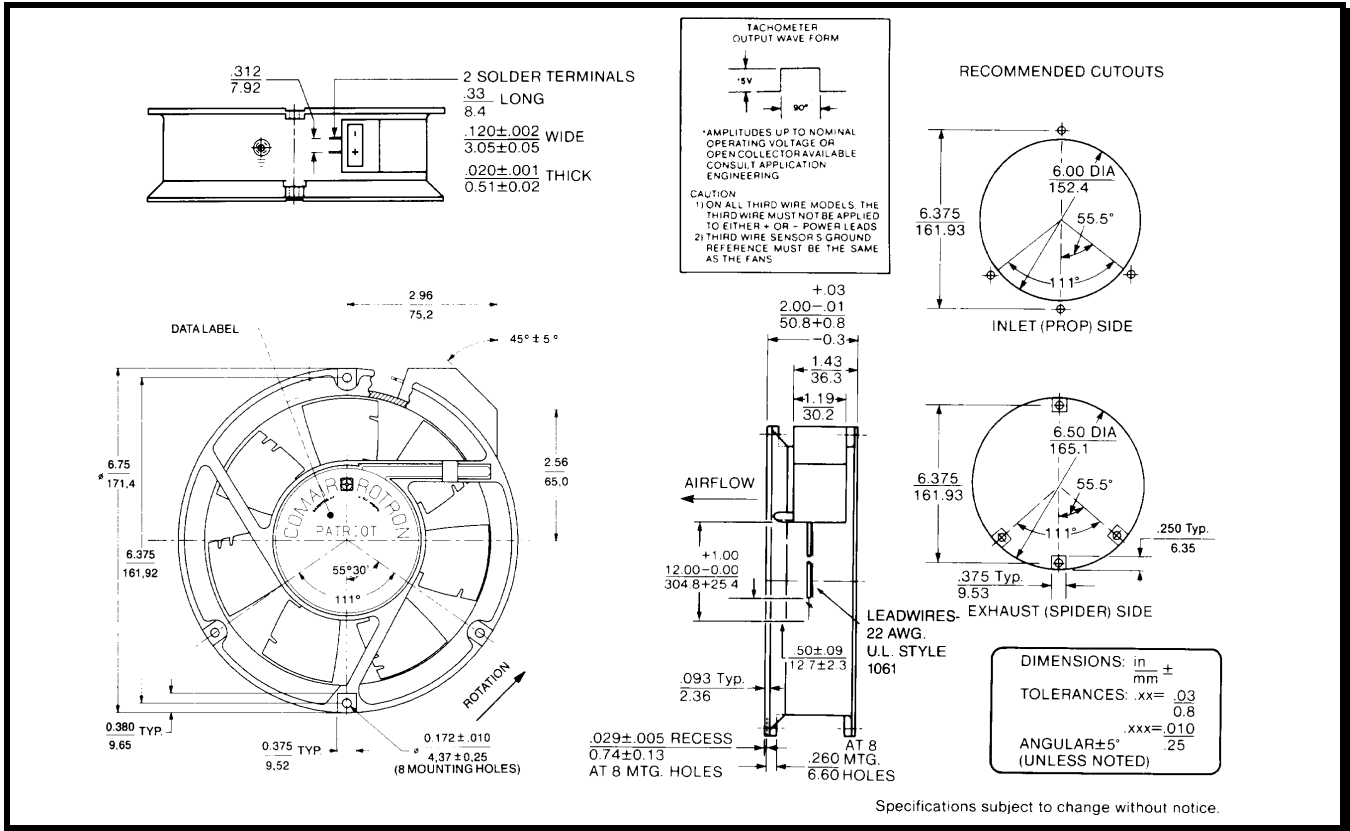
SPECIFICATIONS



Model Number: PQ24S4HX
Part Number: 19039299A

Version: 01
Jan 19, 2018

Mechanical Drawing:



Motor:

Nominal Voltage = 24 vdc
 Operating Voltage Range = 12 - 28 vdc
 Nominal Running Current = 1.0 amps
 Locked Rotor Current = 1.50 amps
 Running Power = 24.0 watts
 Average Speed = 3400 RPM
 Bearings = Ball
 Air Flow = 235 CFM
 Acoustic = 54.3 dBA

Construction:

Venturi: Single Piece, Die-Cast Aluminum, Black
 Propeller: Plastic, Black, UL 94V-0

Agency Approvals:

UL, CUL, CE

Life Expectancy:

This fan is designed for continuous duty life of 58,000 hours at 70°C.

Additional Features:

Brushless DC Motor
 Polarity Protected
 Locked Rotor Protection
 Automatic Restart Capability
 Operating Temperature: -10°C to 70°C
 Storage Temperature: -40°C to 85°C
 Thermal Speed Control
 PTC located in hub

Termination:

2x0.12" Terminals

PQ Curve:

