

SPECIFICATIONS

RoHS

Model Number: CR1225HA2BMT

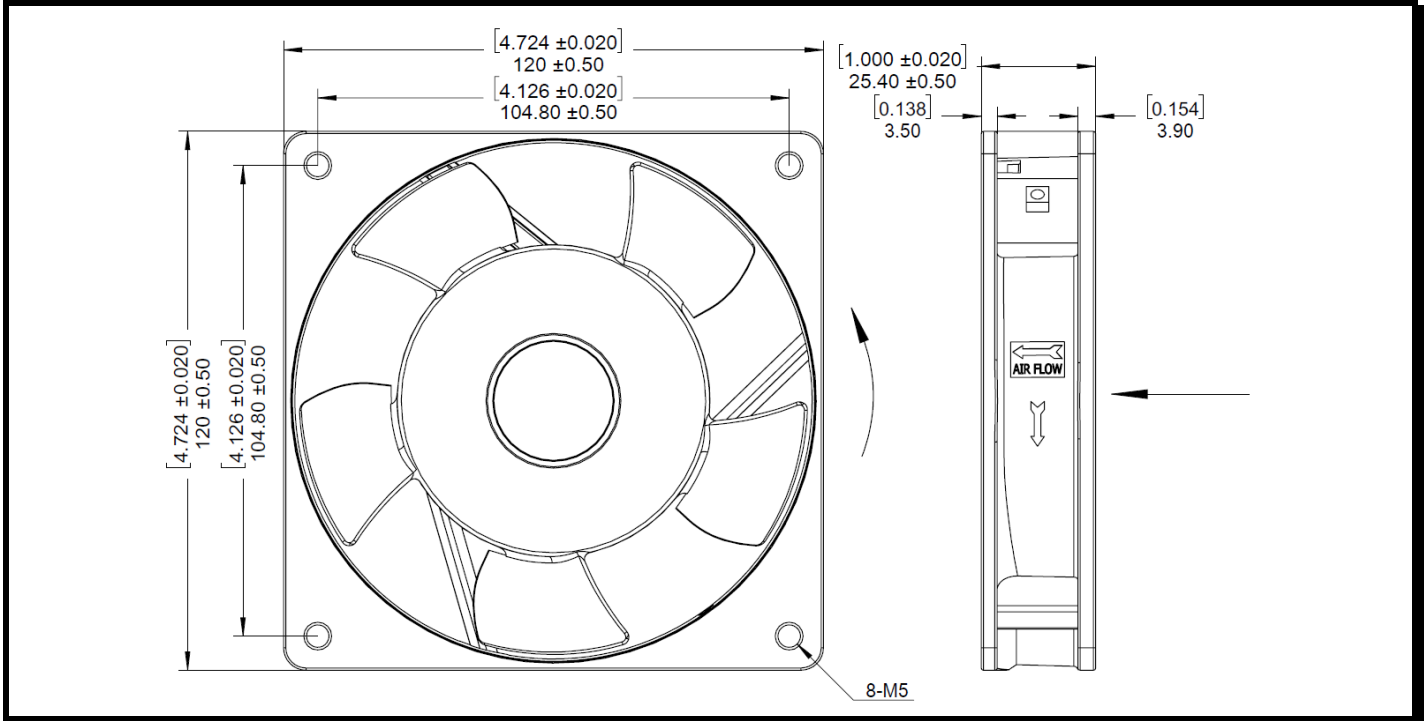
Part Number: 17002089A

Version: 00

Sep 01, 2023



Mechanical Drawing:



Motor:

Normal Voltage	= 220/240 VAC
Operating Voltage Range	= 198~264VAC
Operating Frequency	= 50/60Hz
Rated Current	= 0.08/0.07A
Input Power	= 15/14Watt
Average Speed	= 2100/2200RPM
Bearings	= Ball
Airflow	= 60/63CFM
(Measuring at zero static pressure)	
Static Pressure	= 0.15/0.16'' H ₂ O
(Measuring at zero air flow)	
Noise Level	= 38 dB(A)
Net Weight	= 320 gram.

Construction:

Venturi: High quality magnesium alloy die-casting frame with ED coating and powder coating, Black.
Propeller: Magnesium alloy ED coating and painting.

Life Expectancy:

This fan is designed for continuous duty life of 50,000 hours at 40°C.

Additional Features:

Insulation Resistance: 100MΩ or more at 500 V megger.
Dielectric strength: 2 seconds at 1800 VAC/ 50-60 Hz.
Thermal Shock: Test per MIL-STD-202F, method 107G, condition D.
Operating Temperature: -10°C to 70°C
Storage Temperature: -40°C to 85°C

Termination:

0.120'' Wide Terminals

Agency Approvals:

UL, CE

PQ Curve:

