



## Comair Rotron Specification Sheet

Specification Date: May 13, 2024

Version: 03

COMAIR ROTRON PART NUMBER: 17000538A  
COMAIR ROTRON MODEL NUMBER: CREC12038-3600

---

### A.) MOTOR:

|                               |  |
|-------------------------------|--|
| RATED VOLTAGE:                | 100~240VAC $\pm$ 10%                               |
| OPERATING VOLTAGE RANGE:      | 90~264VAC  |
| LOW-START VOLTAGE:            | 80VAC  |
| RUNNING CURRENT:              | 0.12~0.31 Amps                                     |
| OPERATING FREQUENCY:          | 50~60Hz  |
| INPUT POWER:                  | 17 Watts   |
| NOMINAL SPEED:                | 3,600 RPM $\pm$ 5%<br>(At Free Delivery)           |
| MOTOR TYPE:                   | Brushless EC                                       |
| MOTOR PROTECTION:             | By Integrated Circuit                              |
| LOCKED ROTORT PROTECTION:     | IC protected                                       |
| POLARITY PROTECTION:          | Yes  |
| AUTOMATIC RESTART CAPABILITY: | By Integrated Circuit                              |
| ROTATION:                     | Counter Clockwise when viewed from the<br>impeller |

### B.) MECHANICAL

|               |  |
|---------------|--|
| DIMENSIONS:   | 120mm x120mm x 38mm  |
| WEIGHT:       | 490g   |
| BEARING TYPE: | Permanently Lubricated Ball Bearings                       |
| VENTURI:      | Die Cast magnesium alloy,<br>ED coating and powder coating |
| PROPELLER:    | Die Cast magnesium alloy,<br>ED coating and powder coating |



# Comair Rotron Specification Sheet

Specification Date: May 13, 2024

Version: 03

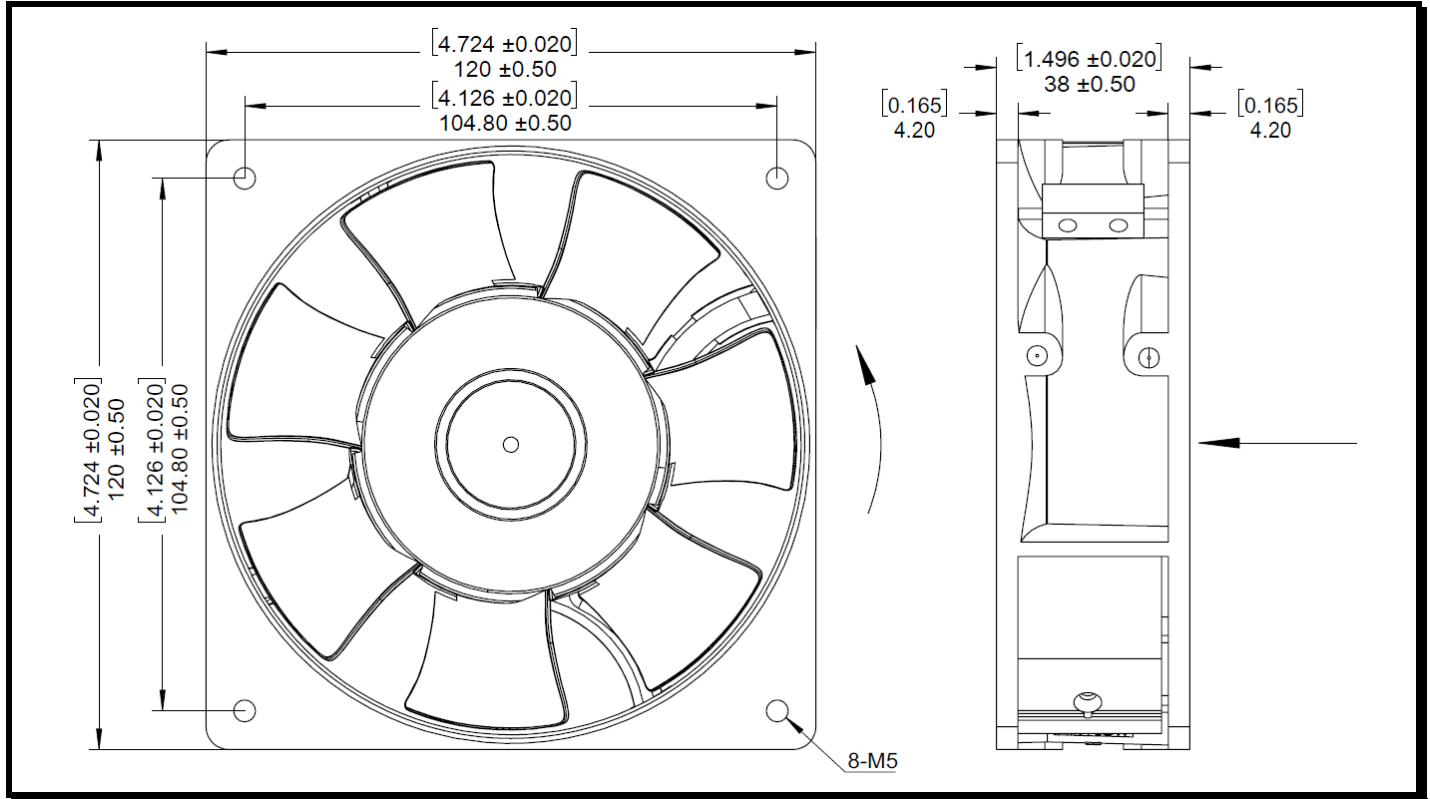


Figure 1

## C.) ENVIRONMENTAL

OPERATING TEMPERATURE:

-20°C to +70°C

STORAGE TEMPERATURE:

The storage temperature will be suggested at -20°C ~ 50°C to ensure a better performance.

HUMIDITY:

20 to 85% RH, non-condensing

## D.) PERFORMANCE CHARACTERISTICS

AIR FLOW:

142 CFM ± 5%  
(Measuring at zero static pressure)

STATIC PRESSURE:

0.50" Inches of H<sub>2</sub>O  
(Measuring at zero airflow)

ACOUSTIC LEVEL:

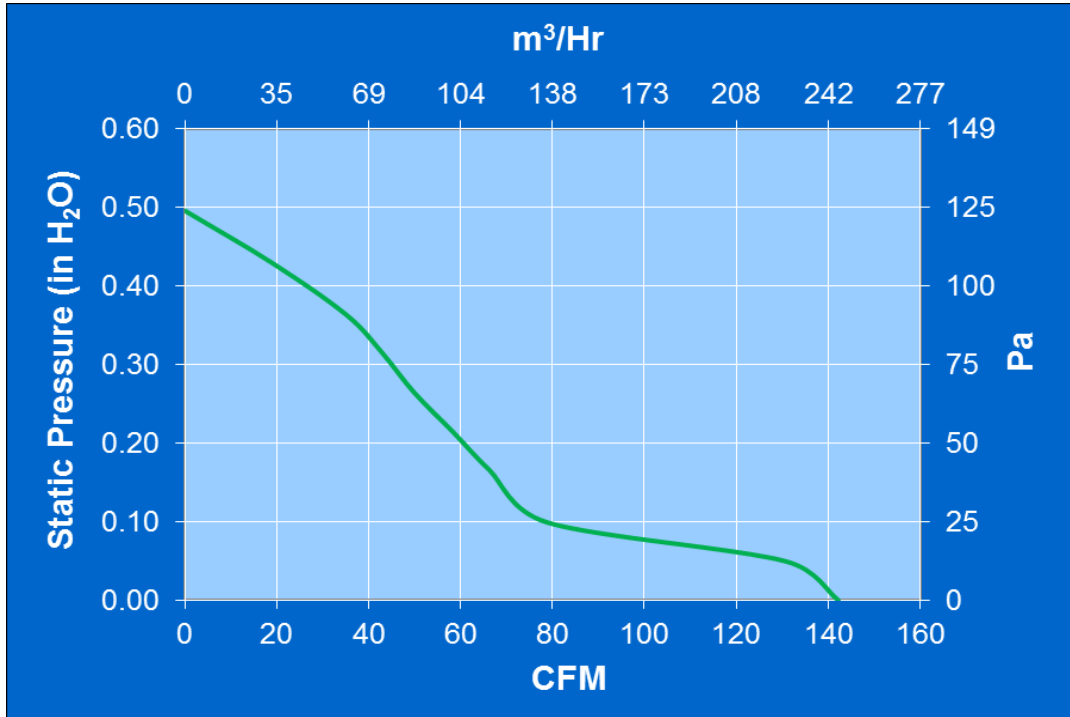
60 dBA Max. at MAX. speed  
(Measured via Freely Suspended at 1 meter )



# Comair Rotron Specification Sheet

Specification Date: May 13, 2024

Version: 03



## E.) TERMINATION

Joint terminal:

suit with 0.5×3×7mm PIN

## F.) RELIABILITY

| Bearing type | Temperature | Hours  |
|--------------|-------------|--------|
| Ball bearing | 20°C        | 60,000 |
|              | 40°C        | 50,000 |
|              | 60°C        | 40,000 |
|              | 90°C        | 20,000 |

## G.) SAFETY

UL, CUL, CE

## H.) FLAMMABILITY

The fan including all components meets a UL94V-0 rating or better.