



Comair Rotron Specification Sheet

Specification Date: May 13, 2024

Version: 03

COMAIR ROTRON PART NUMBER: 17000542A
COMAIR ROTRON MODEL NUMBER: CREC13538-2800

A.) MOTOR:

RATED VOLTAGE:	100~240VAC \pm 10%
OPERATING VOLTAGE RANGE:	90~264VAC
LOW-START VOLTAGE:	80VAC
RUNNING CURRENT:	0.15~0.32 Amps
OPERATING FREQUENCY:	50~60Hz
INPUT POWER:	17 Watts
NOMINAL SPEED:	2,800 RPM \pm 5% (At Free Delivery)
MOTOR TYPE:	Brushless EC
MOTOR PROTECTION:	By Integrated Circuit
LOCKED ROTORT PROTECTION:	IC protected
POLARITY PROTECTION:	Yes
AUTOMATIC RESTART CAPABILITY:	By Integrated Circuit
ROTATION:	Counter Clockwise when viewed from the impeller

B.) MECHANICAL

DIMENSIONS:	135mm x135mm x 38mm
WEIGHT:	480g (0.386 Lbs.)
BEARING TYPE:	Permanently Lubricated Ball Bearings
VENTURI:	Die Cast magnesium alloy, ED coating and powder coating
PROPELLER:	P.B.T+30%GF(Glass fiber) UL 94V-0



Comair Rotron Specification Sheet

Specification Date: May 13, 2024

Version: 03

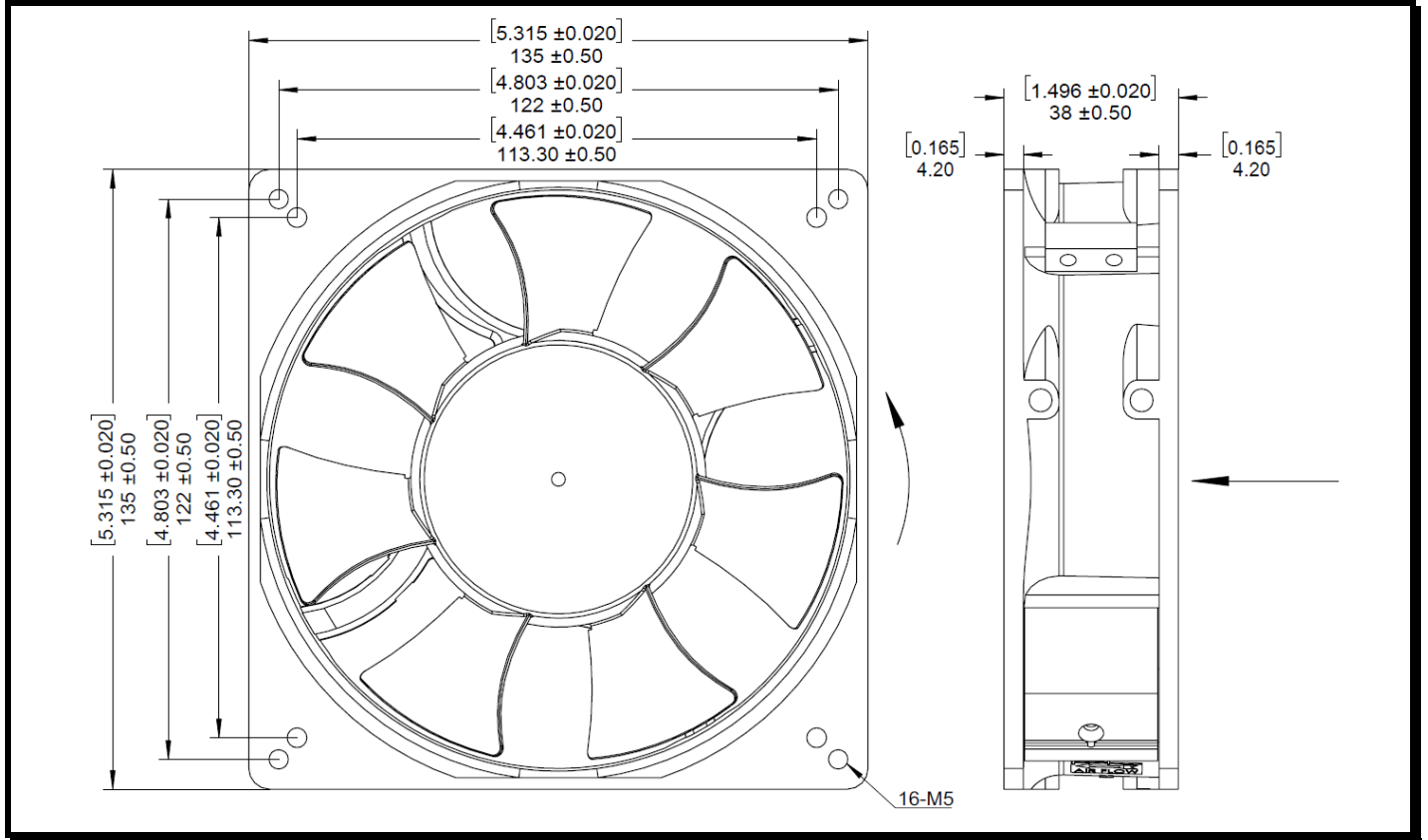


Figure 1

C.) ENVIRONMENTAL

OPERATING TEMPERATURE:

-20°C to +70°C

STORAGE TEMPERATURE:

The storage temperature will be suggested at -20°C ~ 50°C to ensure a better performance.

HUMIDITY:

20 to 85% RH, non-condensing

D.) PERFORMANCE CHARACTERISTICS

AIR FLOW:

166 CFM ± 5%
(Measuring at zero static pressure)

STATIC PRESSURE:

0.38" Inches of H₂O
(Measuring at zero airflow)

ACOUSTIC LEVEL:

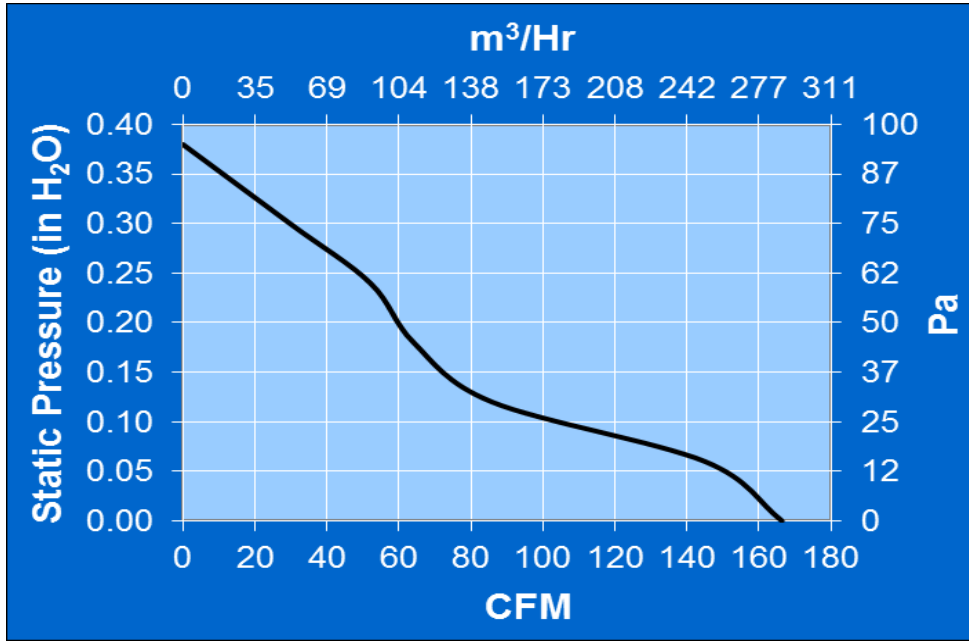
58 dBA Max. at MAX. speed
(Measured via Freely Suspended at 1 meter)



Comair Rotron Specification Sheet

Specification Date: May 13, 2024

Version: 03



E.) TERMINATION

Joint terminal:

suit with 0.5×3×7mm PIN

F.) RELIABILITY

Bearing type	Temperature	Hours
Ball bearing	20°C	60,000
	40°C	50,000
	60°C	40,000
	90°C	20,000

G.) SAFETY

UL, CUL, CE

K.) FLAMMABILITY

The fan including all components meets a UL94V-0 rating or better.