



Comair Rotron Specification Sheet

Specification Date: May 13, 2024

Version: 03

COMAIR ROTRON PART NUMBER: 17000540A
COMAIR ROTRON MODEL NUMBER: CREC8025-4500

A.) MOTOR:

| | |
|-------------------------------|--|
| RATED VOLTAGE: | 100~240VAC \pm 10% |
| OPERATING VOLTAGE RANGE: | 90~264VAC |
| LOW-START VOLTAGE: | 80VAC |
| RUNNING CURRENT: | 0.03~0.05 Amps |
| OPERATING FREQUENCY: | 50~60Hz |
| INPUT POWER: | 4.0 Watts |
| NOMINAL SPEED: | 4500 RPM \pm 5% (At Free Delivery) |
| MOTOR TYPE: | Brushless EC |
| MOTOR PROTECTION: | By Integrated Circuit |
| LOCKED ROTORT PROTECTION: | IC protected |
| POLARITY PROTECTION: | Yes |
| AUTOMATIC RESTART CAPABILITY: | By Integrated Circuit |
| ROTATION: | Counter Clockwise when viewed from the impeller |

B.) MECHANICAL

| | |
|---------------|---|
| DIMENSIONS: | 80mm x80mm x 25mm (3.15" x 3.15" x 0.984") <i>Figure 1</i> |
| WEIGHT: | 175g (0.386 Lbs.) |
| BEARING TYPE: | Permanently Lubricated Ball Bearings |
| VENTURI: | Die Cast magnesium alloy, ED coating and powder coating |
| PROPELLER: | P.B.T+30%GF(Glass fiber) UL 94V-0 |



Comair Rotron Specification Sheet

Specification Date: May 13, 2024

Version: 03

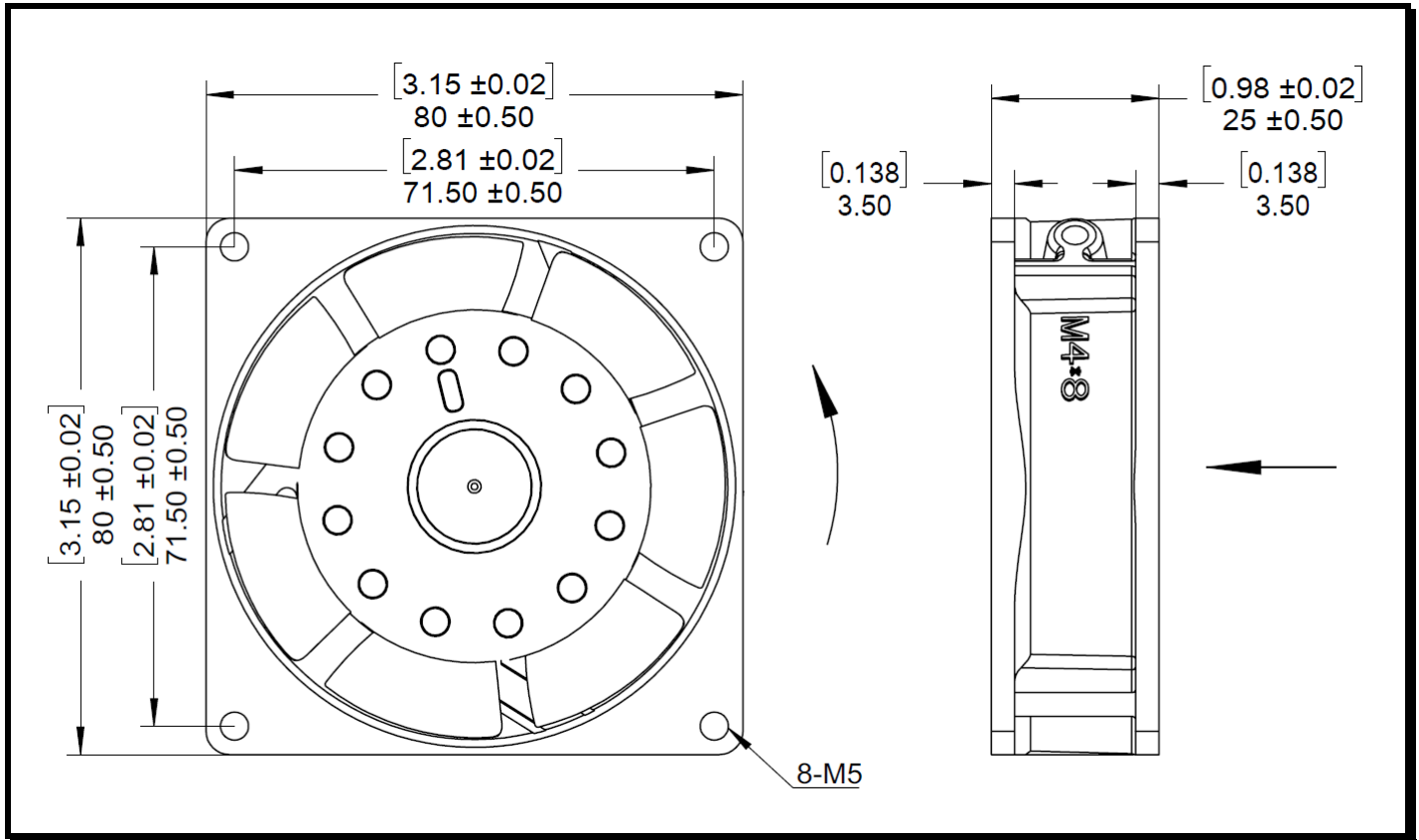


Figure 1

C.) ENVIRONMENTAL

OPERATING TEMPERATURE:

-20°C to +70°C

STORAGE TEMPERATURE:

The storage temperature will be suggested at -20°C ~ 50°C to ensure a better performance.

HUMIDITY:

20 to 85% RH, non-condensing

D.) PERFORMANCE CHARACTERISTICS

AIR FLOW:

31.1CFM ± 5%
(Measuring at zero static pressure)

STATIC PRESSURE:

0.35" Inches of H₂O
(Measuring at zero airflow)

ACOUSTIC LEVEL:

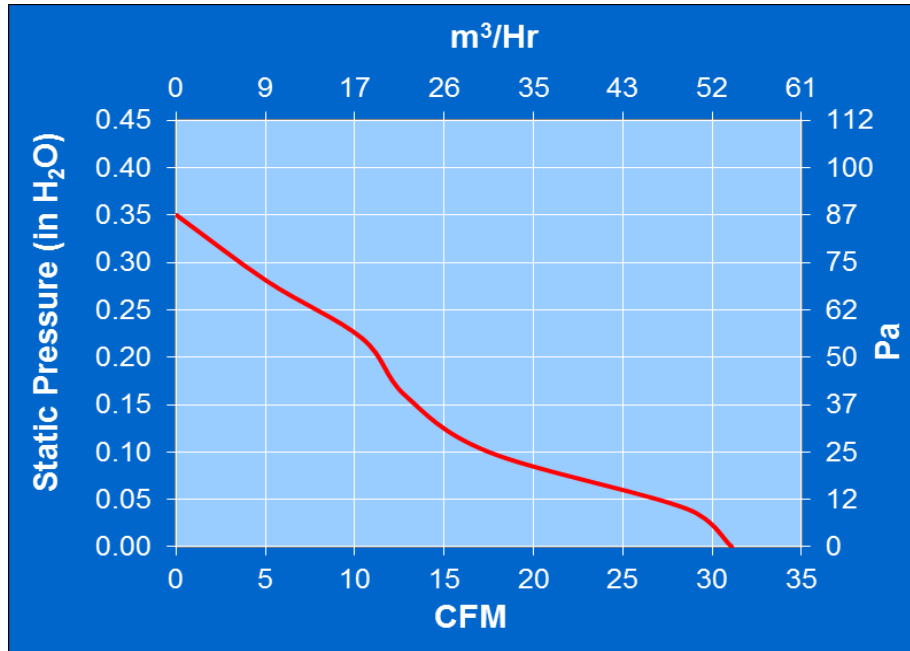
45 dBA Max. at MAX. speed
(Measured via Freely Suspended at 1 meter)



Comair Rotron Specification Sheet

Specification Date: May 13, 2024

Version: 03



E.) TERMINATION

Joint terminal:

suit with 0.5×3×7mm PIN

F.) RELIABILITY

| Bearing type | Temperature | Hours |
|--------------|-------------|--------|
| Ball bearing | 20°C | 60,000 |
| | 40°C | 50,000 |
| | 60°C | 40,000 |
| | 90°C | 20,000 |

G.) SAFETY

UL, CUL, CE

H.) FLAMMABILITY

The fan including all components meets a UL94V-0 rating or better.