

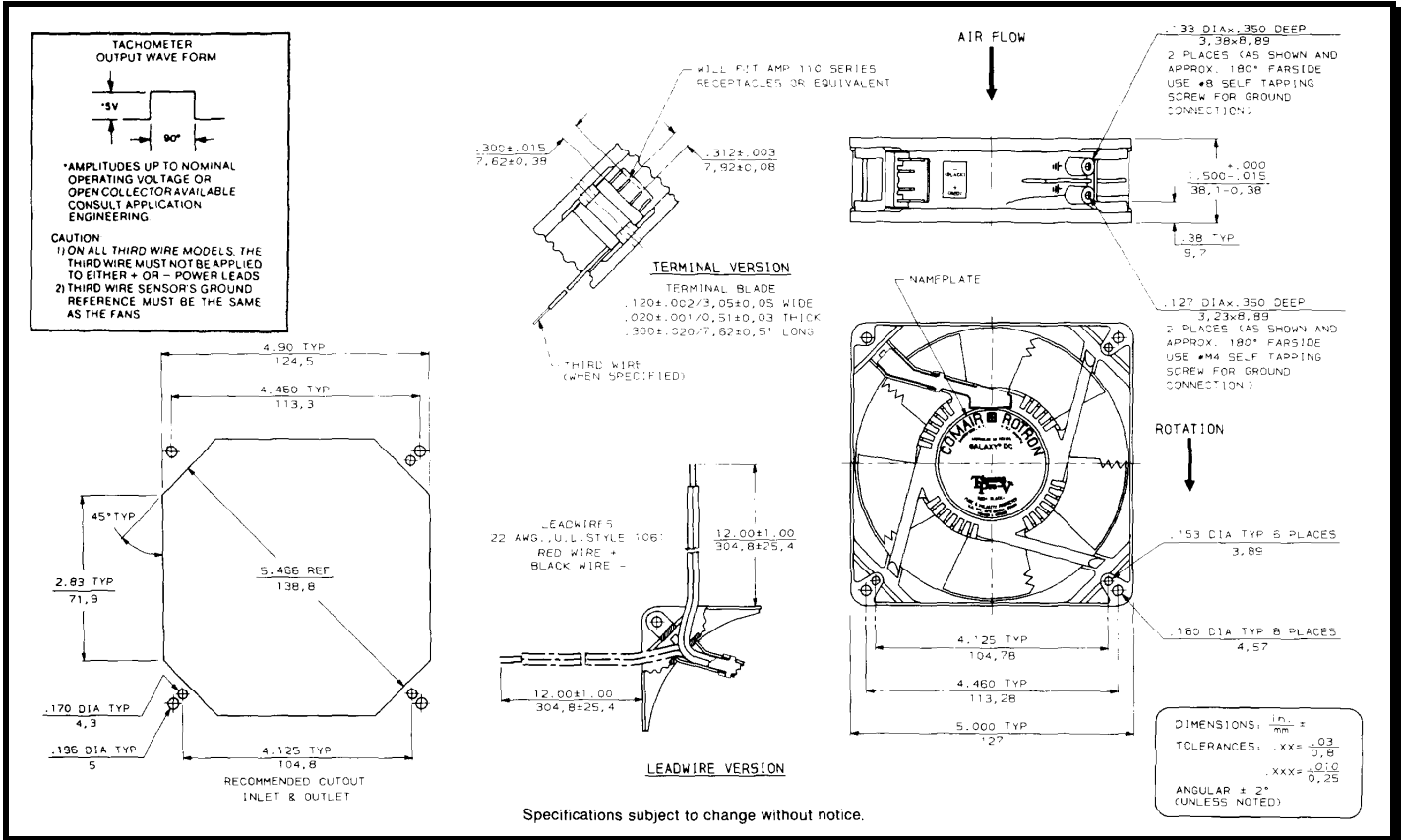
SPECIFICATIONS



Model Number: GL12Z3
Part Number: 17000300A

Version:00
June 22, 2016

Mechanical Drawing:



Motor:

Nominal Voltage = 12 vdc
 Operating Voltage Range = 6 - 14 vdc
 Nominal Running Current = 2.63 amps
 Max. Locked Rotor Current = 5.50 amps
 Running Power = 31.6 watts
 RPM = 4100RPM
 Bearings = Ball
 Airflow = 192 CFM
 Noise = 59.4 dBA

Construction:

Venturi: Die Cast Aluminum, Black
 Propeller: Plastic, Black, UL 94V-0

Life Expectancy:

This fan is designed for continuous duty life of 60,000 hours at 70°C.

Additional Features:

Brushless DC Motor
 Locked Rotor Protection
 Polarity Protected
 Automatic Restart Capability
 Operating Temperature: -10°C to 70°C
 Storage Temperature: -40°C to 85°C

Termination:

12" Lead wires, AWG 22, UL 1061
 Red = Power (+)
 Black = Return (-)

Agency Approvals:

UL, CUL, CE

PQ Curve:

