

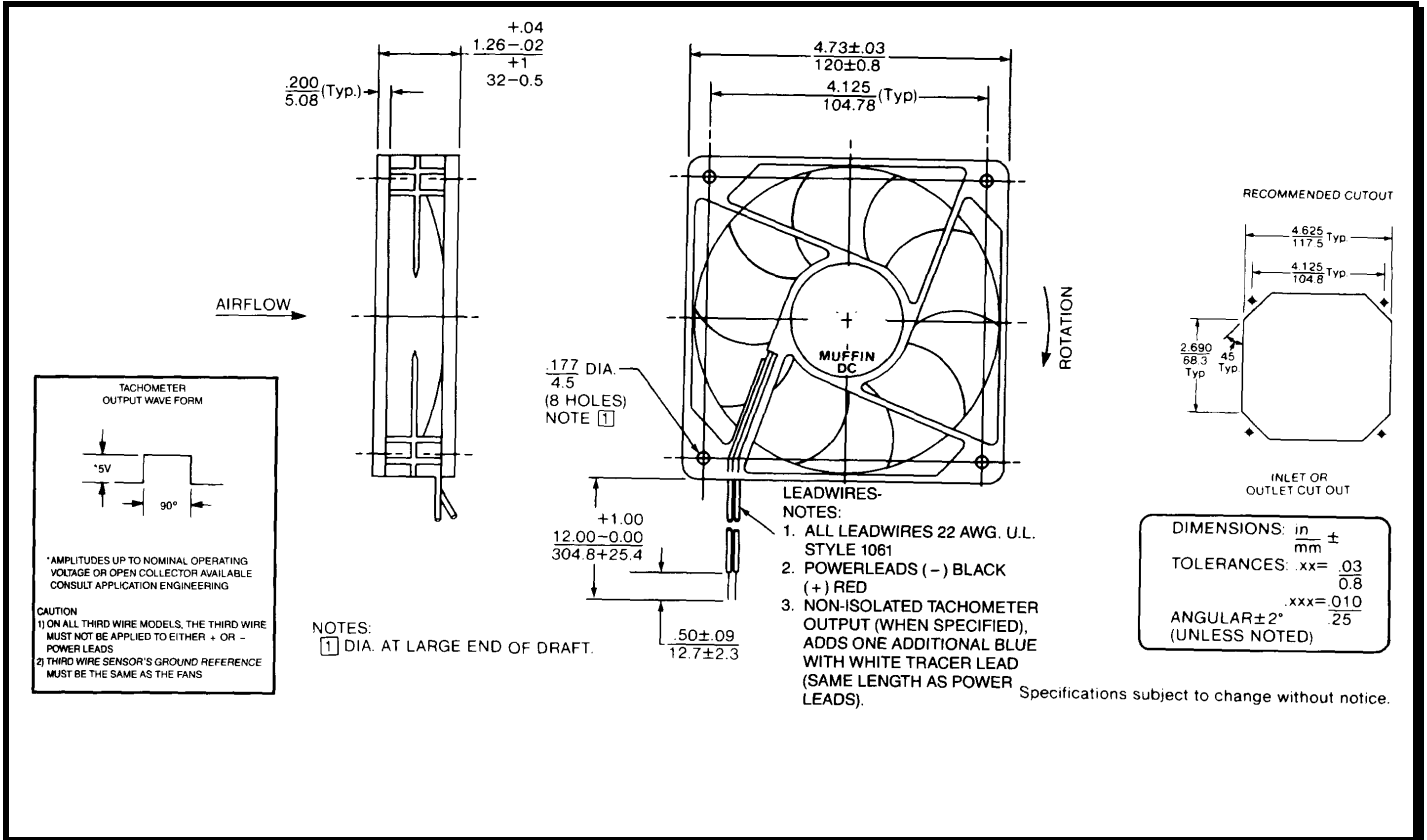
SPECIFICATIONS



Model Number: MC24B3
Part Number: 19030572A

Version: 02
Apr 02, 2018

Mechanical Drawing:



Motor:

Nominal Voltage = 24 vdc
 Operating Voltage Range = 12 – 28 vdc
 Nominal Running Current = 0.28 amps
 Locked Rotor Current = 0.6 amps
 Running Power = 6.7 watts
 Average Speed = 3700 RPM
 Bearings = Ball
 Air Flow = 100 CFM
 Acoustic = 47.8 dBA

Construction:

Venturi: Lexan 500, Black, UL 94V-0
 Propeller: Plastic, Black, UL 94V-0

Life Expectancy:

This fan is designed for continuous duty life of 45,000 hours at 70°C.

Additional Features:

Brushless DC Motor
 Polarity Protected.
 Electronic Locked Rotor Protection
 Automatic Restart Capability
 Operating Temperature: -10°C to 70°C
 Storage Temperature: -40°C to 85°C

Termination:

12" Lead wires, 22AWG, UL 1061
 Red = Power (+)
 Black = Return (-)

Agency Approvals:

UL, CUL, CE

PQ Curve:

