

SPECIFICATIONS

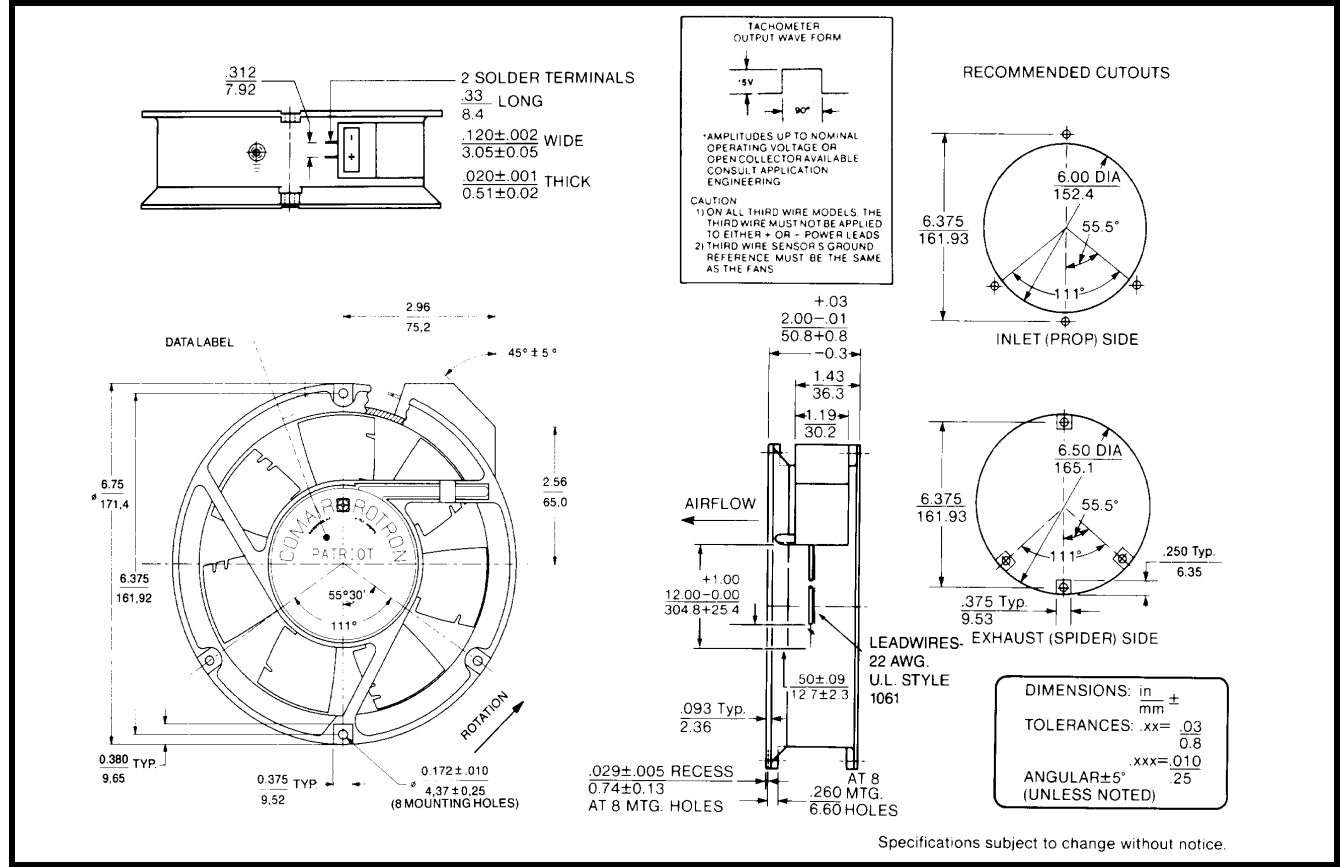
(RoHS Compliant)



Model Number: PQ24B4
Part Number: 19031084A

Rev:01
Dec 21, 2017

Mechanical Drawing:



Motor:

Nominal Voltage	= 24 vdc
Operating Voltage Range	= 12 – 28 vdc
Nominal Running Current	= 1.0 amps
Locked Rotor Current	= 2.00 amps
Running Power	= 24 watts
Average Speed	= 3400 RPM
Bearings	= Ball
Air Flow	= 235 CFM
Acoustic	= 54.3 dBA

Construction:

Venturi: Single piece, die-cast aluminum, Black
 Propeller: Plastic, Black, UL 94V-0

Life Expectancy:

This fan is designed for continuous duty life of 58,000 hours at 70°C.

Additional Features:

Brushless DC Motor
 Polarity Protected
 Locked Rotor Protection
 Automatic Restart Capability
 Operating Temperature: -10°C to 70°C
 Storage Temperature: -40°C to 85°C

Termination:

2x 0.120 Terminals

Agency Approvals:

UL, CUL, CE

PQ Curve:

