

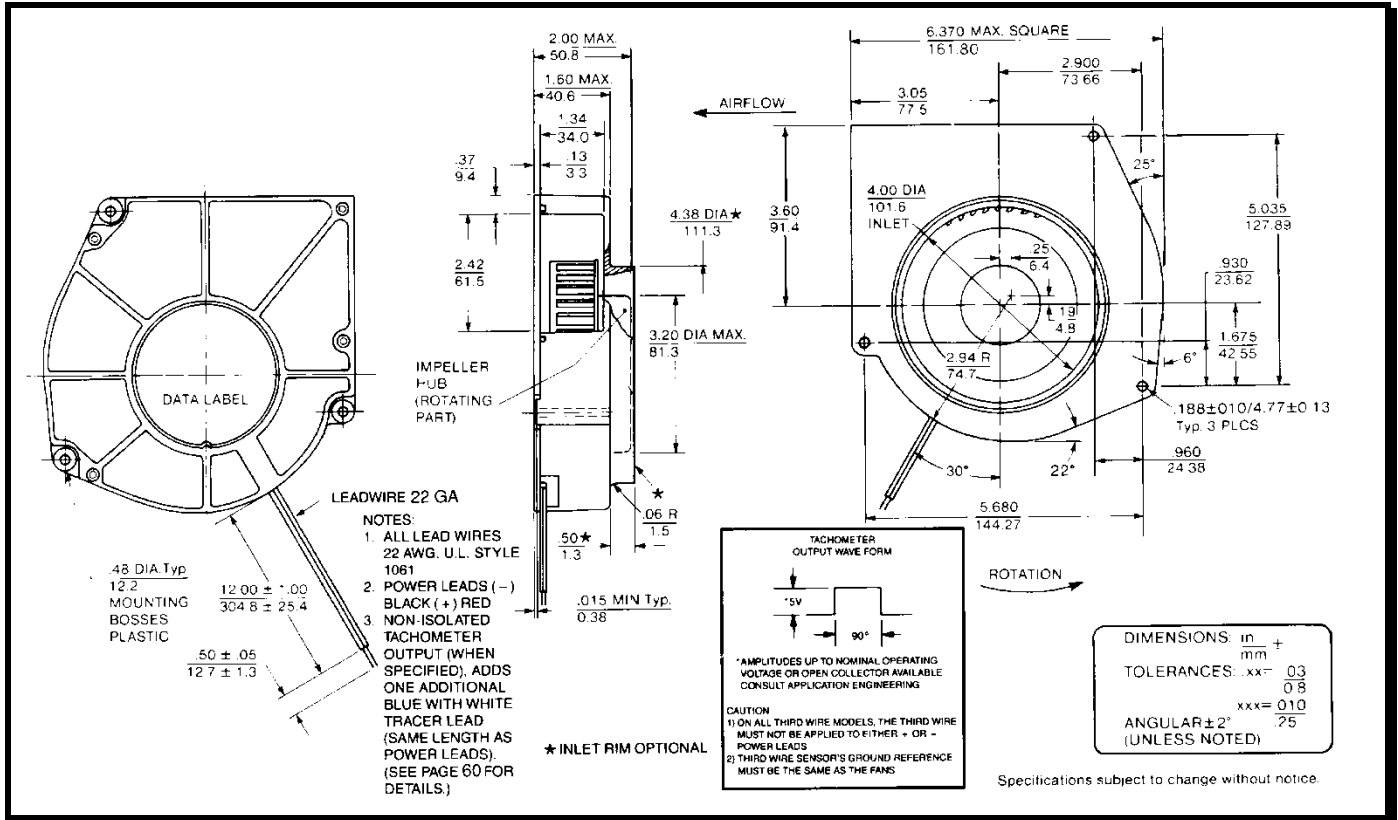
# SPECIFICATIONS



**Model Number:** SPD24B1  
**Part Number:** 19032183A

**Version:** 01  
**April 28, 2016**

## Mechanical Drawing:



### Specifications:

Nominal Voltage	= 24 vdc
Operating Voltage Range	= 12 - 28 vdc
Nominal Running Current	= 1.25 amps
Locked Rotor Current	= 2.5 amps
Running Power	= 30 watts
Average Speed	= 2500 rpm
Bearings	= Ball
Air Flow	= 59 CFM
Acoustic	= 57.0 dBA

### Construction:

Back plate: Die-Cast Zinc Alloy  
Housing & Propeller: Plastic, Black, UL 94V-0

### Life Expectancy:

This fan is designed for continuous duty life of 45,000 hours at 70°C.

### Additional Features:

- Brushless DC Motor
- Polarity Protected
- Locked Rotor Protection
- Automatic Restart Capability
- Operating Temperature: -10°C to 70°C
- Storage Temperature: -40°C to 85°C

### Termination:

- 12" lead wires, AWG 22, UL 1061
- Red: = Power (+)
- Black: = Return (-)

### Agency Approvals:

UL, CUL, CE

**PQ Curve:**

