

# SPECIFICATIONS

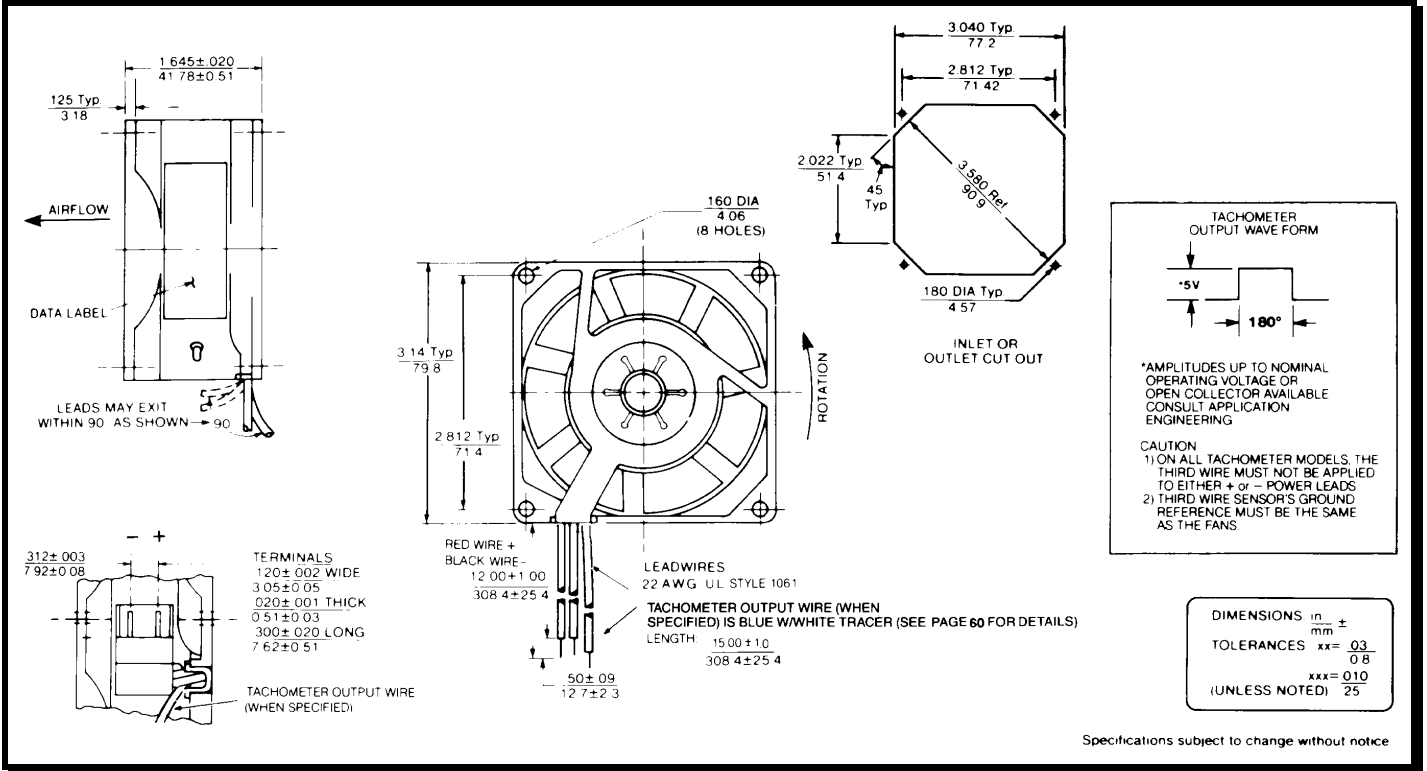
(RoHS Compliant)



**Model Number:** SD48B1  
**Part Number:** 19028935A

**Version:** 01  
**Jan.10.2018**

## Mechanical Drawing:



### Motor:

Nominal Voltage = 48 vdc  
 Operating Voltage Range = 24 – 56vdc  
 Nominal Running Current = 0.06 amps  
 Locked Rotor Current = 0.6 amps  
 Running Power = 3.0 watts  
 Average Speed = 3500  
 Bearings = Ball  
 Air Flow = 35 CFM  
 Acoustic = 47.6 dBA

### Construction:

Venturi: Single Piece Die-Cast Zinc Alloy, Black  
 Propeller: Plastic, Black, UL 94V-0

### Life Expectancy:

This fan is designed for continuous duty life of 52,000 hours at 70°C.

### Additional Features:

Brushless DC Motor  
 Polarity Protected  
 Electronic Locked Rotor Protection  
 Automatic Restart Capability  
 Operating Temperature: -10°C to 70°C  
 Storage Temperature: -40°C to 85°C

### Termination:

12" Lead wires, AWG 22, UL 1061  
 Red = Power (+)  
 Black = Return (-)

### Agency Approvals:

UL, CUL, CE

**PQ Curve:**

